

## User's Guide



### Overview of Your Scanner Features

These features help you create the best possible scans, no matter what shape your original is in.



### Placing Originals on the Scanner

Follow the steps here to place your original documents or photos on the scanner.



### Scanning Special Projects

Follow the instructions here for specific scanning projects you may need to create.



### Solving Problems

If you have a problem using your scanner or its software, check here for solutions.



### Guide to the Scanner Parts

Check this section to identify the parts of your scanner.



### Scanning Your Originals

Follow the step-by-step instructions here to scan your original documents or photos using any of the available scanning methods.



### Maintenance

Follow the guidelines here to maintain and transport your scanner.



### Technical Specifications

Check here for technical details about your scanner and its accessories.

- Safety
- Copyright and Trademarks
- Operating System Versions

[Home](#) > Overview of Your Scanner Features

## Overview of Your Scanner Features

These features help you create the best possible scans, no matter what shape your original is in.

 [Scanning Documents with Carrier Sheet](#)

 [Text Enhancement](#)

[Home](#) > [Guide to the Scanner Parts](#)

## Guide to the Scanner Parts

Check these sections to identify the parts of your scanner.

 [Scanner Parts](#)

 [Control Panel](#)

[Home](#) > Placing Originals on the Scanner

## Placing Originals on the Scanner

Follow the steps here to place your original documents or photos on the scanner.

 [Loading Documents](#)

[Home](#) > Scanning Your Originals

## Scanning Your Originals

Follow the step-by-step instructions here to scan your original documents or photos using any of the available scanning methods.

 [Starting Scan Using the Control Panel](#)

 [Scanning Using Document Capture Pro \(for Windows\)](#)

 [Starting Scan Using the Epson Scan](#)

 [Scanning Documents](#)

 [Selecting File Save Settings](#)

 [Detailed Setting Instructions](#)

 [Finishing the Scan](#)

[Home](#) > Scanning Special Projects

## Scanning Special Projects

Follow these instructions for specific scanning projects you may need to create.

 [Scanning Documents with Carrier Sheet](#)

 [Text Enhancement](#)

 [Scanning to a PDF File](#)

 [Using the Scanner as a Copier](#)

 [Scanning Directly to an E-mail](#)

 [Converting Scanned Documents Into Editable Text](#)

 [Assigning a Program to LCD Screen Menu List](#)

Home > Maintenance

## Maintenance

Follow the guidelines here to maintain and transport your scanner.

 [Cleaning the Scanner](#)

 [Cleaning Inside the Scanner](#)

 [Replacing the Scanner Light Source](#)

 [Transporting the Scanner](#)

 [Replacing the Roller Assembly Kit](#)

 [Using Security Slot](#)

[Home](#) > Solving Problems

## Solving Problems

### Troubleshooting

If you have a problem using your scanner or its software, check here for solutions.

[Scanner Problems](#)

[Paper Feeding Problems](#)

[Scanning Problems](#)

[Scan Quality Problems](#)

[Uninstalling Your Scanning Software](#)

### Where To Get Help

[EPSON Technical Support](#)

[ABBYY FineReader](#)



[Home](#) > [Technical Specifications](#)

## Technical Specifications

Check here for technical details about your scanner and its accessories.

 [System Requirements](#)

 [Scanner Specifications](#)

[Home](#) > [Safety](#)

## Important Safety Instructions

### [Restrictions on Copying](#)

Read all these instructions, and follow all warnings and instructions marked on the scanner.

- In this document, warnings, cautions, and notes indicate the following:

#### **Warnings**

must be followed carefully to avoid bodily injury.

#### **Cautions**

must be observed to avoid damage to your equipment.

#### **Notes**

contain important information and useful tips on the operation of this product.

- Place the scanner close enough to the computer for the interface cable to reach it easily. Do not place or store the scanner or the AC adapter outdoors, near excessive dirt or dust, water, heat sources, or in locations subject to shocks, vibrations, high temperature or humidity, direct sunlight, strong light sources, or rapid changes in temperature or humidity. Do not use with wet hands.
- Place the scanner and the AC adapter near an electrical outlet where the adapter can be easily unplugged.

#### **Caution:**

Be sure the AC power cord meets the relevant local safety standards.

- The AC power cord should be placed to avoid abrasions, cuts, fraying, crimping, and kinking. Do not place objects on top of the AC power cord and do not allow the AC adapter or the AC power cord to be stepped on or run over. Be particularly careful to keep both of the AC power cords straight at the ends and the points where they enter the AC adapter.
- Use only the AC adapter that comes with your scanner. Using any other adapter could cause fire, electrical shock, or injury.
- The AC adapter is designed for use with the scanner with which it was included. Do not attempt to use it with other electronic devices unless specified.
- Use only the type of power source indicated on the product's label.
- When connecting this product to a computer or other device with a cable, ensure the correct orientation of the connectors. Each connector has only one correct orientation. Inserting a connector in the wrong orientation may damage both devices connected by the cable.
- Avoid using outlets on the same circuit as photocopiers or air control systems that regularly switch on and off.
- If you use an extension cord with the scanner, make sure the total ampere rating of the devices plugged into the extension cord does not exceed the cord's ampere rating. Also, make sure the total ampere rating of all devices plugged into the wall outlet does not exceed the wall outlet's ampere rating.

- Never disassemble, modify, or attempt to repair the AC adapter, scanner, or scanner option by yourself except as specifically explained in the scanner's guides.
- Do not insert objects into any opening as they may touch dangerous voltage points or short out parts. Beware of electrical shock hazards.
- If damage occurs to the plug, replace the cord set or consult a qualified electrician. If there are fuses in the plug, make sure you replace them with fuses of the correct size and rating.
- Unplug the scanner and the AC adapter, and refer servicing to qualified service personnel under the following conditions: The AC adapter or plug is damaged; liquid has entered the scanner or the AC adapter; the scanner or the AC adapter has been dropped or the case has been damaged; the scanner or the AC adapter does not operate normally or exhibits a distinct change in performance. (Do not adjust controls that are not covered by the operating instructions.)
- Unplug the scanner and the AC adapter before cleaning. Clean with a damp cloth only. Do not use liquid or aerosol cleaners.
- If you are not going to use the scanner for a long period, be sure to unplug the AC adapter from the electrical outlet.

 **WARNING for United States users:**

The cords included with this product contain chemicals, including lead, known to the State of California to cause birth defects or other reproductive harm. **Wash hands after handling.** (provided in accordance with Proposition 65 in Cal. Health & Safety Code § 25249.5 et seq)

## Restrictions on Copying

---

Observe the following restrictions to ensure responsible and legal use of your scanner.

### Copying of the following items is prohibited by law:

- Bank bills, coins, government-issued marketable securities, government bond securities, and municipal securities
- Unused postage stamps, pre-stamped postcards, and other official postal items bearing valid postage
- Government-issued revenue stamps, and securities issued according to legal procedure

### Exercise caution when copying the following items:

- Private marketable securities (stock certificates, negotiable notes, checks, etc.), monthly passes, concession tickets, etc.
- Passports, driver's licenses, warrants of fitness, road passes, food stamps, tickets, etc.

 **Note:**

Copying these items may also be prohibited by law.

## Responsible use of copyrighted materials

Epson encourages each user to be responsible and respectful of the copyright laws when using any EPSON product. While some countries' laws permit limited copying or reuse of copyrighted material in certain circumstances, those circumstances may not be as broad as some people assume. Contact your legal advisor for any questions regarding copyright law.

## Restriction on disassembling and decompiling

You may not disassemble, decompile or otherwise attempt to derive the source code of any software included with this product.

[Home](#) > Copyright and Trademarks

## ■ Copyright and Trademarks

No part of this publication may be reproduced, stored in a retrieval system, or transmitted in any form or by any means, electronic, mechanical, photocopying, recording, or otherwise, without the prior written permission of Seiko Epson Corporation. No patent liability is assumed with respect to the use of the information contained herein. Neither is any liability assumed for damages resulting from the use of the information contained herein.

Neither Seiko Epson Corporation nor its affiliates shall be liable to the purchaser of this product or third parties for damages, losses, costs, or expenses incurred by the purchaser or third parties as a result of: accident, misuse, or abuse of this product or unauthorized modifications, repairs, or alterations to this product.

Seiko Epson Corporation and its affiliates shall not be liable against any damages or problems arising from the use of any options or any consumable products other than those designated as Original Epson Products or Epson Approved Products by Seiko Epson Corporation.

EPSON® is a registered trademark and EPSON Exceed Your Vision is a registered logomark of Seiko Epson Corporation.

Microsoft®, Windows®, Windows Vista®, and SharePoint® are registered trademarks of Microsoft Corporation.

Adobe®, Adobe Reader®, Acrobat®, and Photoshop® are registered trademarks of Adobe Systems Incorporated.

Apple®, ColorSync®, and Macintosh® are registered trademarks of Apple Inc.

ABBYY® and ABBYY FineReader® names and logos are registered trademarks of ABBYY Software House.

EMC², Captiva, and ISIS are registered trademarks, and QuickDriver is a trademark of EMC Corporation.

Intel® is a registered trademark of Intel Corporation.

PowerPC® is a registered trademark of International Business Machines Corporation.

EPSON Scan Software is based in part on the work of the Independent JPEG Group.

libtiff

Copyright © 1988-1997 Sam Leffler  
Copyright © 1991-1997 Silicon Graphics, Inc.

Permission to use, copy, modify, distribute, and sell this software and its documentation for any purpose is hereby granted without fee, provided that (i) the above copyright notices and this permission notice appear in all copies of the software and related documentation, and (ii) the names of Sam Leffler and Silicon Graphics may not be used in any advertising or publicity relating to the software without the specific, prior written permission of Sam Leffler and Silicon Graphics.

THE SOFTWARE IS PROVIDED "AS-IS" AND WITHOUT WARRANTY OF ANY KIND, EXPRESS, IMPLIED OR OTHERWISE, INCLUDING WITHOUT LIMITATION, ANY WARRANTY OF MERCHANTABILITY OR FITNESS FOR A PARTICULAR PURPOSE.

IN NO EVENT SHALL SAM LEFFLER OR SILICON GRAPHICS BE LIABLE FOR ANY SPECIAL, INCIDENTAL, INDIRECT OR CONSEQUENTIAL DAMAGES OF ANY KIND, OR ANY DAMAGES WHATSOEVER RESULTING FROM LOSS OF USE, DATA OR PROFITS, WHETHER OR NOT ADVISED OF THE POSSIBILITY OF DAMAGE, AND ON ANY THEORY OF LIABILITY, ARISING OUT OF OR IN CONNECTION WITH THE USE OR PERFORMANCE OF THIS SOFTWARE.

**General Notice:** Other product names used herein are for identification purposes only and may be trademarks of their respective companies.

Copyright © 2012 Epson America, Inc.

CPD-37188R1

[Home](#) > Operating System Versions

## ■ Operating System Versions

In this manual, the following abbreviations are used.

### **Windows refers to Windows 7, Vista, XP, and XP x64.**

- Windows 7 refers to Windows 7 Home Basic, Windows 7 Home Premium, Windows 7 Professional, and Windows 7 Ultimate.
- Windows Vista refers to Windows Vista Home Basic Edition, Windows Vista Home Premium Edition, Windows Vista Business Edition, Windows Vista Enterprise Edition, and Windows Vista Ultimate Edition.
- Windows XP refers to Windows XP Home Edition, Windows XP Professional x64 Edition, and Windows XP Professional.

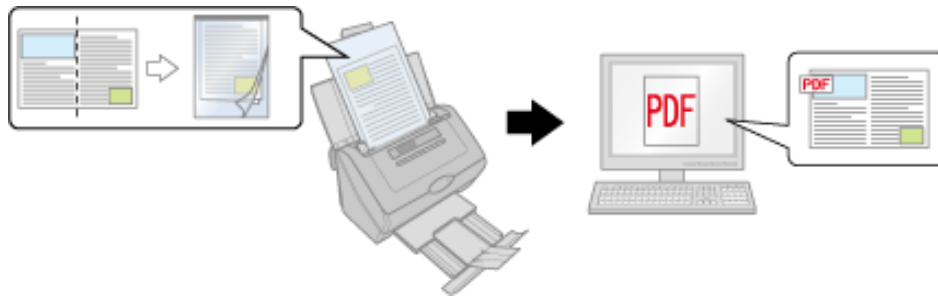
### **Macintosh refers to Mac OS X.**

- Mac OS X refers to Mac OS X 10.4.11, 10.5.x, 10.6.x, 10.7.x, and 10.8.x.

[Home](#) > [Overview of Your Scanner Features](#)

## ■ Scanning Documents with Carrier Sheet

The carrier sheet enables you to scan documents larger than A4 size (A3, B4, and US B), and documents having irregular shapes or documents with folds or wrinkles.

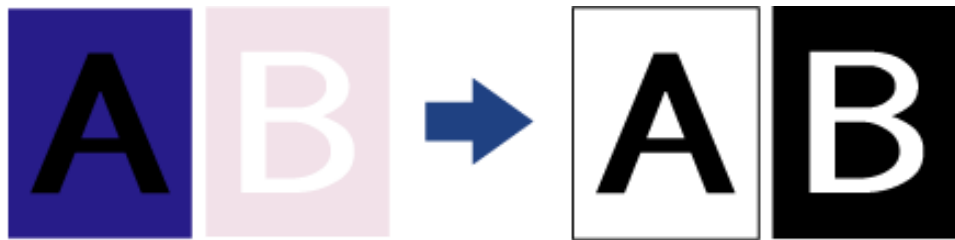


For instructions on using this feature, see [Scanning Documents with Carrier Sheet](#).

[Home](#) > [Overview of Your Scanner Features](#)

## ■ Text Enhancement

When you scan documents, you can sharpen the text and increase accuracy by using the **Text Enhancement** feature in Epson Scan.



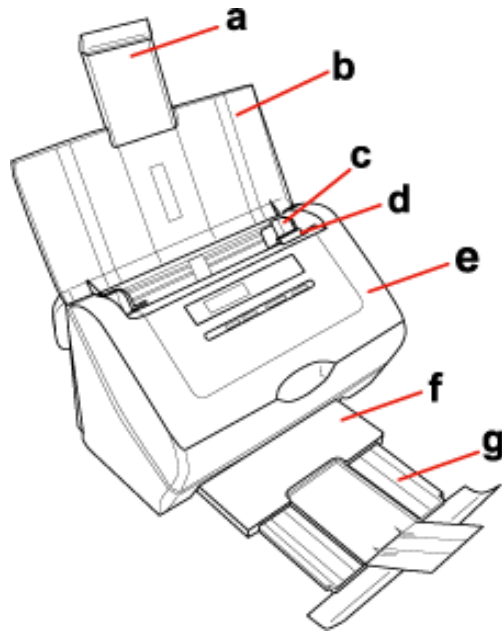
For instructions on using this feature, see [Text Enhancement](#).



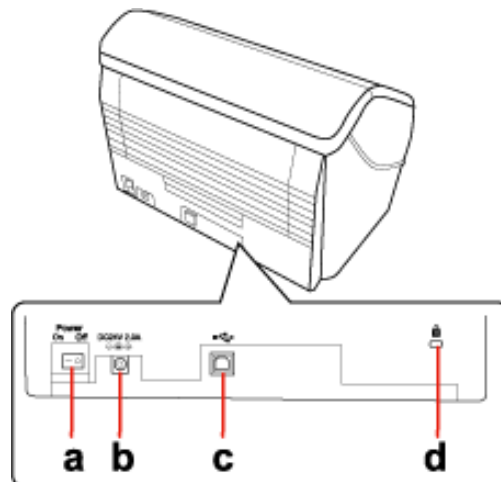
[Home](#) > [Guide to the Scanner Parts](#)

## Scanner Parts

[Removal Parts](#)



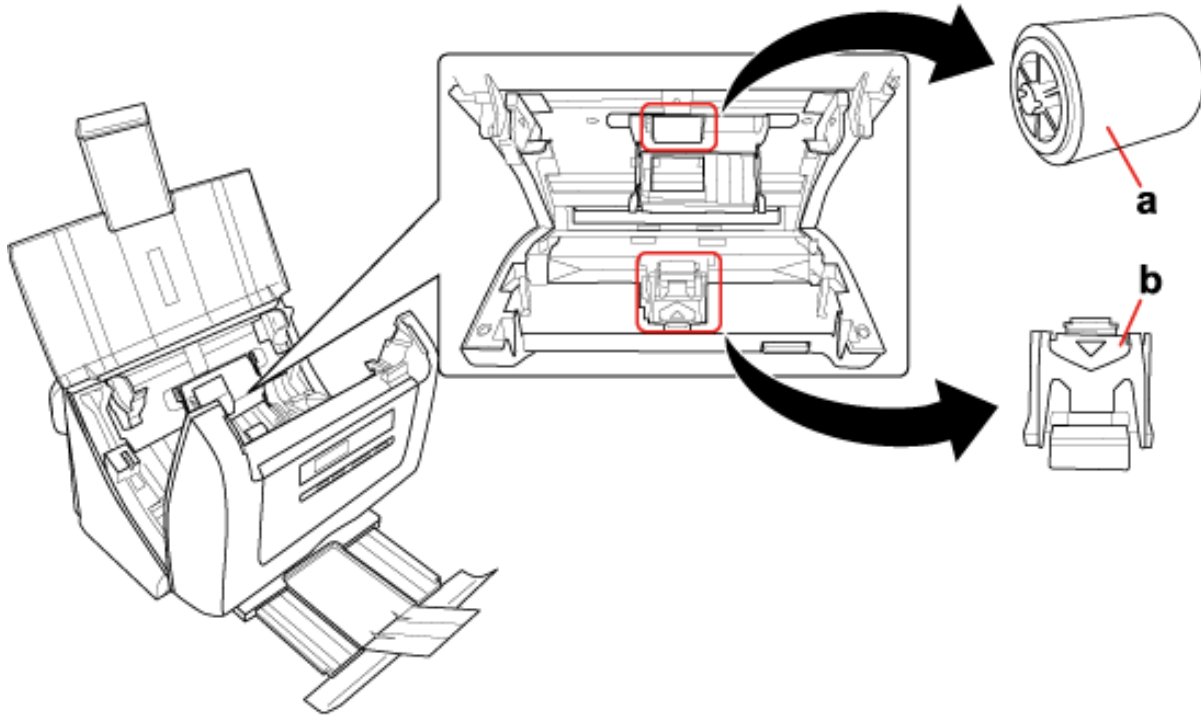
- a. input tray extension
- b. input tray
- c. edge guides
- d. cover open lever
- e. scanner cover
- f. output tray
- g. output tray extension



- a. power switch
- b. DC inlet
- c. USB interface connector
- d. security slot

## Removal Parts

---



- a. paper feed roller
- b. separation pad

Home > Guide to the Scanner Parts

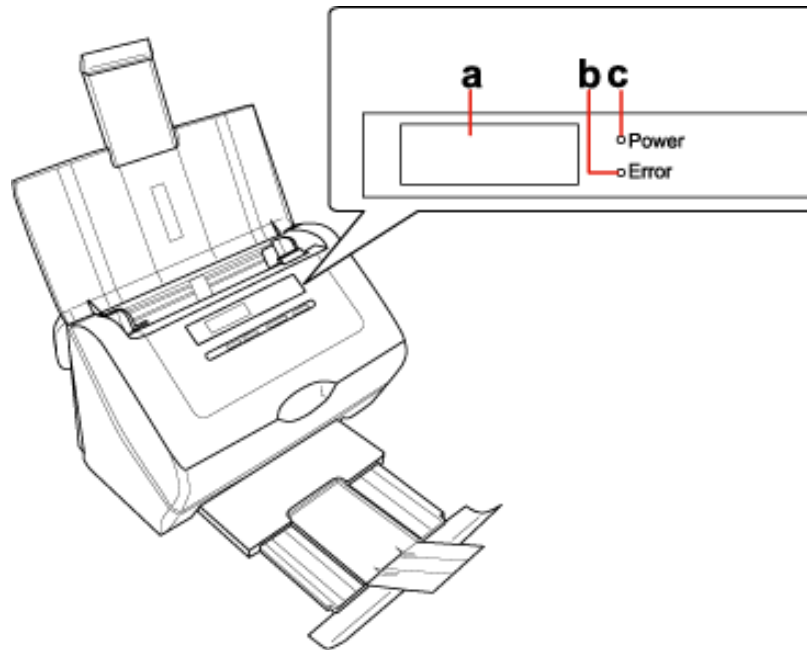
## Control Panel

- ▾ Lights
- ▾ Buttons
- ▾ LCD Screen

The scanner has one LCD screen, two indicator lights, and four buttons.

### Lights

The status lights are on the right side of the LCD screen.

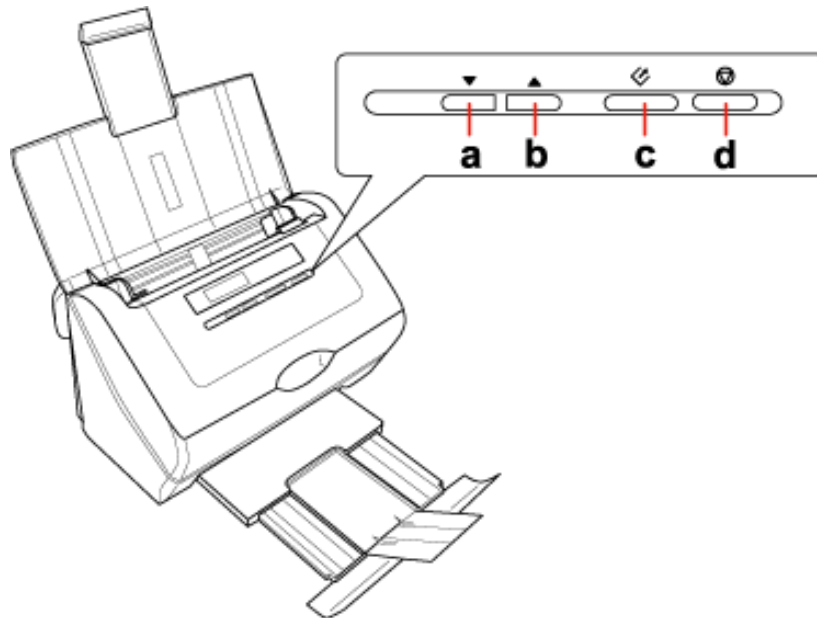




- a. LCD screen
- b. Error light
- c. Power light

Color	Indicator Status	Meaning
Green	On	Ready to scan images.
	Flashing	Initializing or scanning.
Orange	On	Scanner cover is open. See <a href="#">The Lights Are Flashing</a> for more information.
	Flashing	An error has occurred. See <a href="#">The Lights Are Flashing</a> for more information.
(None)	Off	The scanner is off.

## Buttons

The buttons are at the bottom of the LCD screen.



Button	Function
a. ▼ Down arrow	Scrolls through the LCD screen menu list in forward order.
b. ▲ Up arrow	Scrolls through the LCD screen menu list in reverse order.
c.  Start	Starts scanning.
d.  Cancel	Cancels scanning.

## LCD Screen

You can select the scan action from the LCD screen menu list. Press the ▲ Up arrow and ▼ Down arrow buttons to select the action. The settings or descriptions for the selected action are displayed on the LCD screen. For detailed information, see [Assigning a Program to LCD Screen Menu List](#).

### Note for Mac OS X users:

Only the number of the action is displayed on the LCD screen. To confirm the action, check the Epson Event Manager window. See [Assigning a Project Program in Epson Event Manager to a LCD Screen Menu List](#) for instructions.

Home > Placing Originals on the Scanner

## Loading Documents

- Document Specifications
- Loading Documents Directly
- Loading Document with Carrier Sheet
- Loading Cards

You can load your original documents into the input tray to scan multiple pages quickly.

Before loading documents into the input tray, see [Document Specifications](#) to make sure your original documents can be loaded.

### Document Specifications

The table below lists the sizes of paper you can load into the input tray. You can load up to 75 sheets (a stack thickness of 7.5 mm/0.3 inch or less).

Only load sheets that are all the same size.

Paper size	Measurements
A4	210 × 297 mm (8.3 × 11.7 inches)
Letter	215.9 × 279.4 mm (8.5 × 11 inches)
Legal	215.9 × 355.6 mm (8.5 × 14 inches)
B5	182 × 257 mm (7.2 × 10.1 inches)
A5	148.5 × 210 mm (5.8 × 8.3 inches)
A6	105 × 148 mm (4.1 × 5.8 inches)
A8 (Portrait)*	52 × 74 mm (2.0 × 2.9 inches)
Business card	up to 10 pieces per stack up to 3.8-mm (0.15-inch) stack thickness
Plastic card (including emboss card) (Portrait)**	54 × 85.6 mm (2.1 × 3.3 inches) up to 1 piece per stack up to 1.5-mm (0.06-inch) thickness

\* For Windows only.

\*\* For scanning of plastic cards with shiny surfaces, the results are not guaranteed.

Load only documents that meet the following specifications.

Size	Width: 52 to 216 mm (2.0 to 8.5 inches) Length: 73.7 to 914.4 mm (2.9 to 36.0 inches)
Weight	Auto Feeding: 50 to 130 g/m <sup>2</sup> (0.1 to 0.3 lb/m <sup>2</sup> ) Manual Feeding: 45 to 200 g/m <sup>2</sup> (0.1 to 0.4 lb/m <sup>2</sup> )
Paper type	High-quality paper, Recycled paper

Documents with the following conditions cannot be loaded directly (without using the carrier sheet).

- The ink is wet.
- The document is ripped or wrinkled.\*
- The document has staples, paper clips, or other objects attached to it; these may damage the feeder mechanism.
- The document has folds.\*
- The document has cut-out areas.\*
- The document is a multi-part form or bound.\*
- The document has rear carbon coating.

\* A document with one of these conditions can be loaded if you use the carrier sheet. See [Loading Document with Carrier Sheet](#) for detailed information.

See [Loading Documents Directly](#) for instructions on loading your documents.

Top 

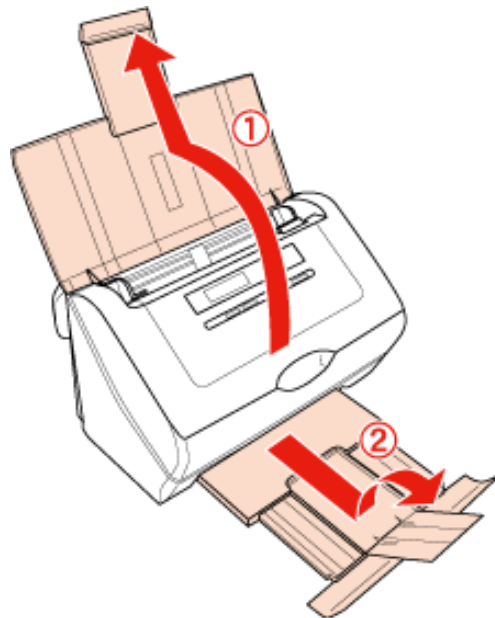
## Loading Documents Directly

---

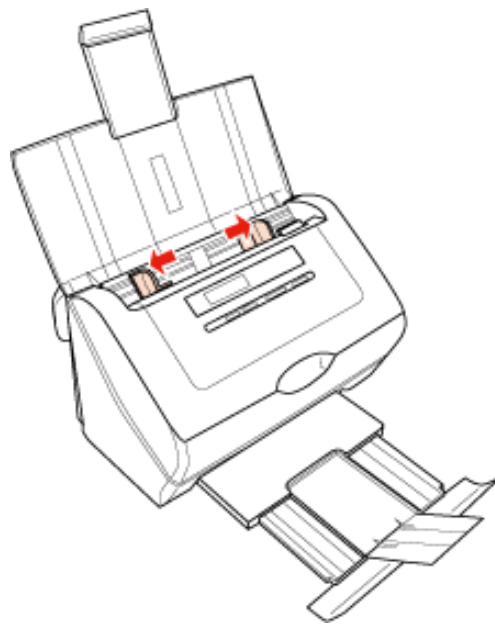
### **Caution:**

Do not feed photographs or valuable original artwork into the scanner directly. Misfeeding may wrinkle or damage the original. If you scan these originals, use the carrier sheet.

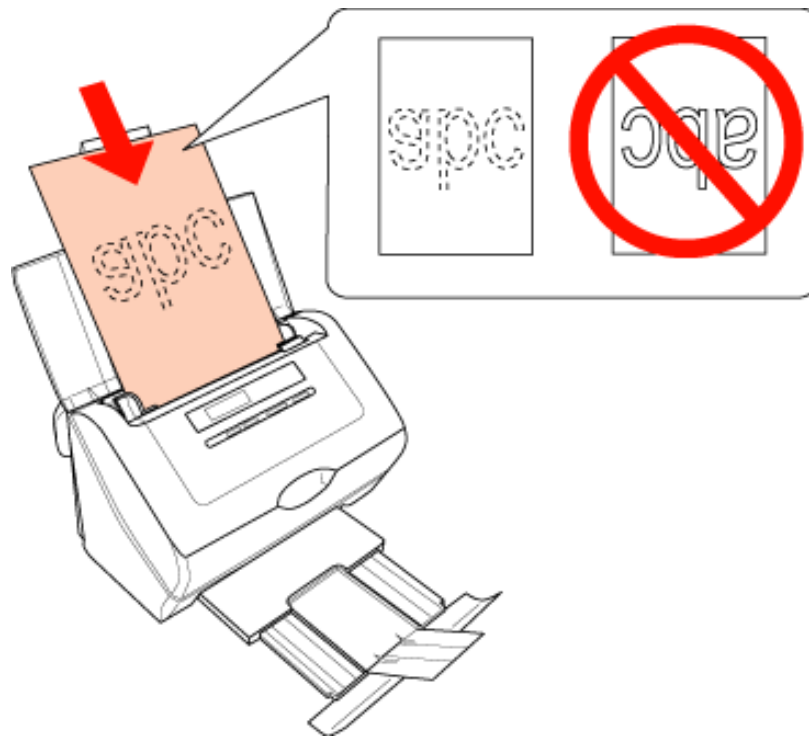
- 1 Open and extend the input tray. Then, slide out and extend the output tray.



- 2 Slide the edge guides on the input tray all the way outward.

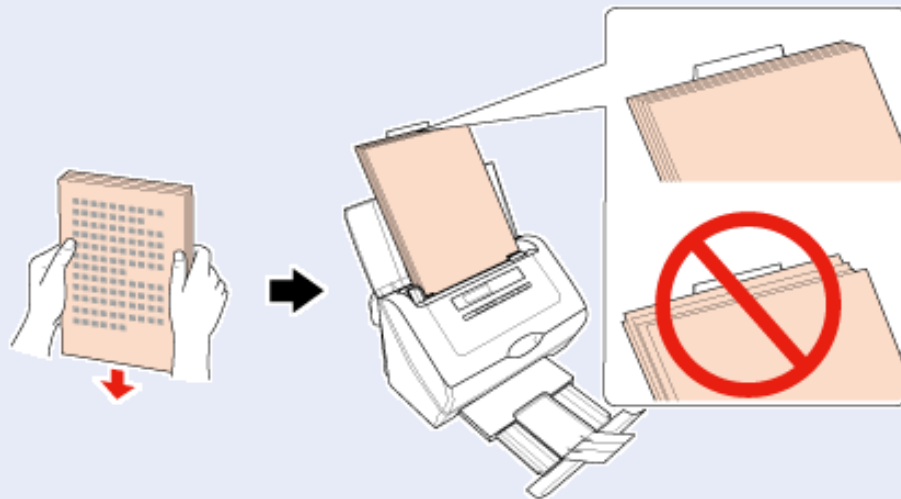


- 3 Load only the first page of your documents into the input tray with the printed side facing down and the top edge facing into the feeder.  
Slide the paper into the feeder until it meets resistance.

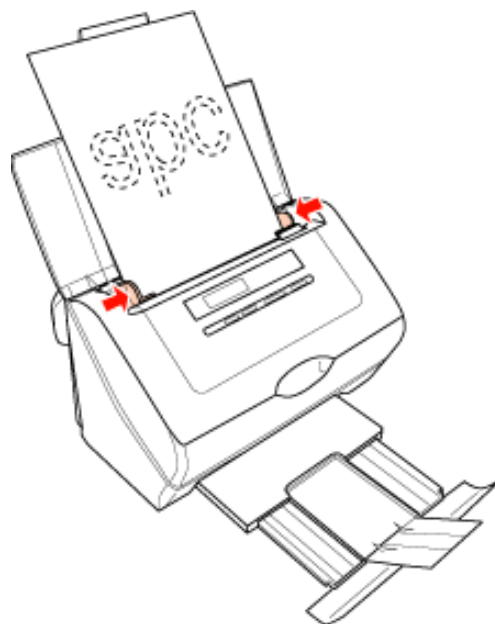


 **Note:**

- You will load only the first page of your documents, preview it in your scanner software, and load it again with the rest of your pages.
- Align the edges of the document; otherwise a paper jam may occur.



4 Slide the edge guides over to fit the edge of the paper.



To start scanning, see [Starting Scan Using the Epson Scan](#) for instructions.

Top 

## Loading Document with Carrier Sheet

 **Note:**



- You can scan documents with the following condition using the carrier sheet.
  - The document has an irregular shape.
  - The document has folds or wrinkles.
  - Make sure that the carrier sheet is not loaded mixed in with other documents that are not using the Carrier Sheet.

**1** Open the carrier sheet and place the document inside on the top-center of the carrier sheet.

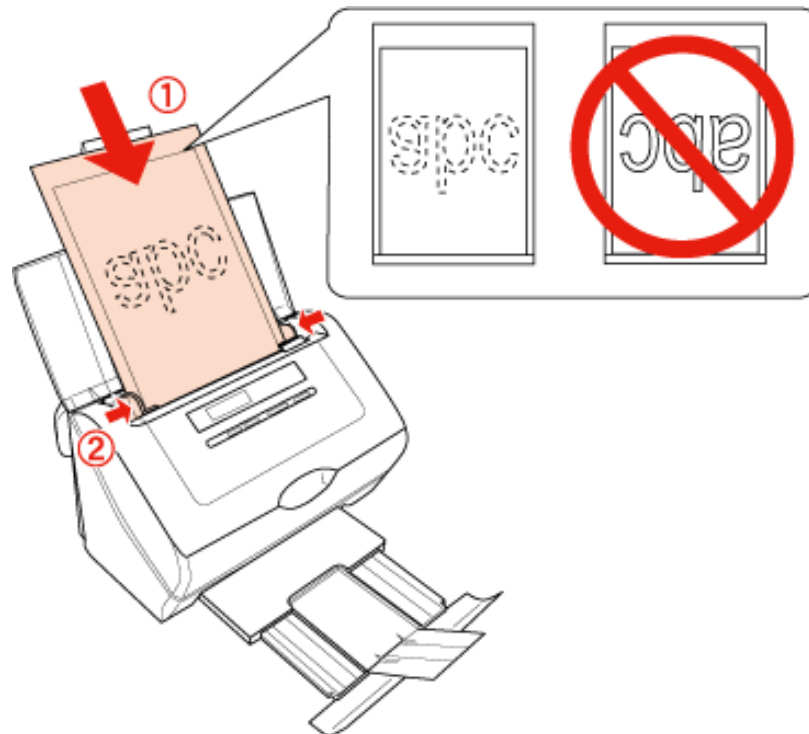
If the document is larger than A4 size, neatly fold the document with the printed side facing outwards.



**2** Load the carrier sheet into the input tray with the printed side facing down and the top edge facing into the feeder.

If you place the folded document into the carrier sheet, load the carrier sheet into the input tray with the left side of the original document facing down and the top edge facing into the feeder.

**3** Slide the carrier sheet into the feeder until it meets resistance. Then slide the edge guides over to fit the edge of the carrier sheet.



To start scanning, see [Starting Scan Using the Epson Scan](#) for instructions.

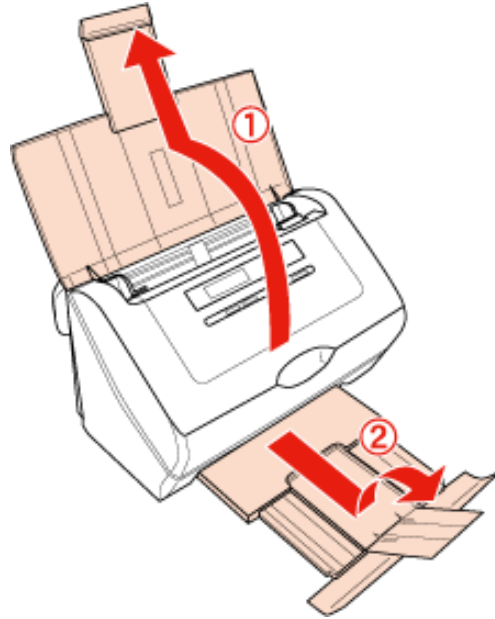
Top 

## Loading Cards

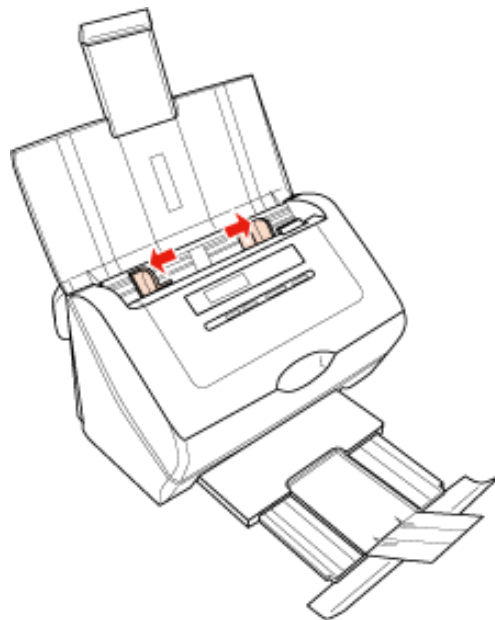
 **Note:**

For scanning of plastic cards with shiny surfaces, the results are not guaranteed.

- 1 Open and extend the input tray. Then, slide out and extend the output tray.

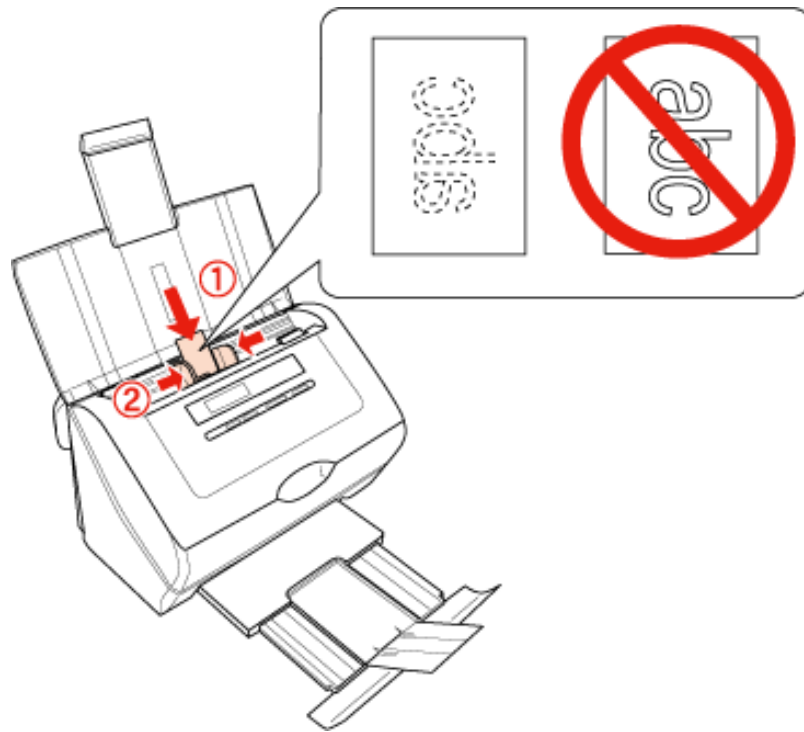


- 2 Slide the edge guides on the input tray all the way outward.



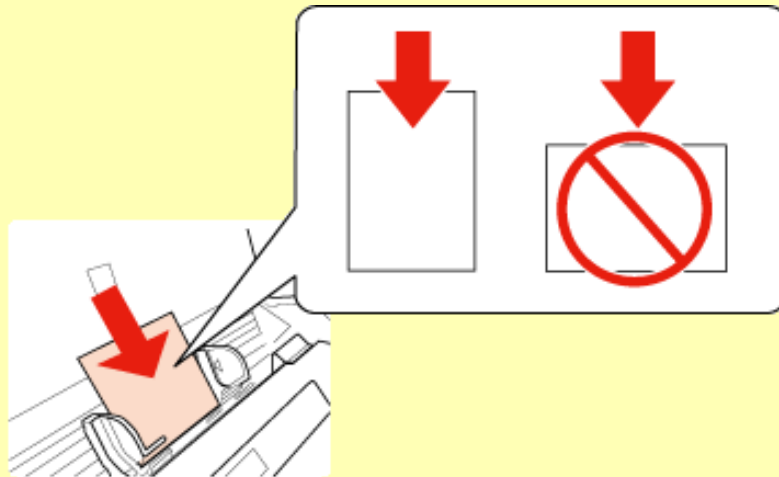
- 3 Load the card into the input tray with the printed side facing down and the left edge facing into the feeder. Slide the card into the feeder until it meets resistance. Then slide the edge guides over to fit the edge of the card.

- When you scan plastic cards, you can load only one card.
- When you scan cards or business cards, you can load up to 10 cards.



 **Caution:**

Do not load plastic cards in landscape orientation.



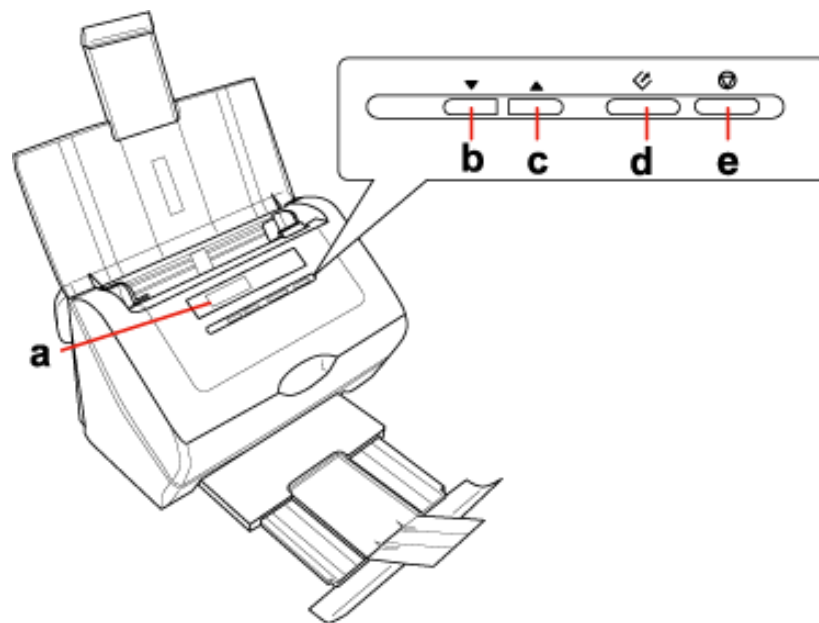
 **Note:**



When you scan cards or business cards, preview function is not available.

To start scanning using the Epson Scan, see [Scanning Documents](#) for instructions.

Home > Scanning Your Originals

## Starting Scan Using the Control Panel



- a. LCD screen
- b. ▼ Down arrow button
- c. ▲ Up arrow button
- d.  Start button
- e.  Cancel button

You can start scanning by selecting one of the following functions from the LCD screen menu list. The scan starts with the scan action you assigned in advance. To assign a program to the LCD screen menu, see [Assigning a Program to LCD Screen Menu List](#) for instructions.

### Note for Mac OS X users:

Only the number of the action is displayed on the LCD screen. To confirm the action, check the Epson Event Manager window. See [Assigning a Project Program in Epson Event Manager to a LCD Screen Menu List](#) for instructions.

- B&W PDF-Simplex (Mac OS X) or Scan to PDF (B&W) (Windows) lets you scan Black & White images. The scanner scans the documents and saves them as one PDF file on your computer. See [Scanning to a PDF File](#) for instructions.
- Color PDF-Simplex (Mac OS X) or Scan to PDF (Color) (Windows) lets you scan Color images. The scanner scans the documents and saves them as one PDF file on your computer. See [Scanning to a PDF File](#) for instructions.
- B&W PDF-Duplex (Mac OS X only) lets you scan Black & White images. The scanner scans both sides of the documents and saves them as one PDF file on your computer. See [Scanning to a PDF File](#) for instructions.
- Color Jpeg to E-mail function (Mac OS X only) lets you scan a color image and attach the scanned image file to

an E-mail message. See [Scanning Directly to an E-mail](#) for instructions.

- Scan to PDF (Gray) (Windows) lets you scan grayscale images. The scanner scans the documents and saves them as one PDF file on your computer. See [Scanning to a PDF File](#) for instructions.
- Scan to PDF (Auto) (Windows) detects the document source automatically, scans both sides of documents loaded in the ADF, and saves them as one PDF file on your computer. See [Scanning to a PDF File](#) for instructions.

[Home](#) > [How to Scan](#)

## Scanning Using Document Capture Pro (for Windows)

This section explains basic scanning procedures using Document Capture Pro.

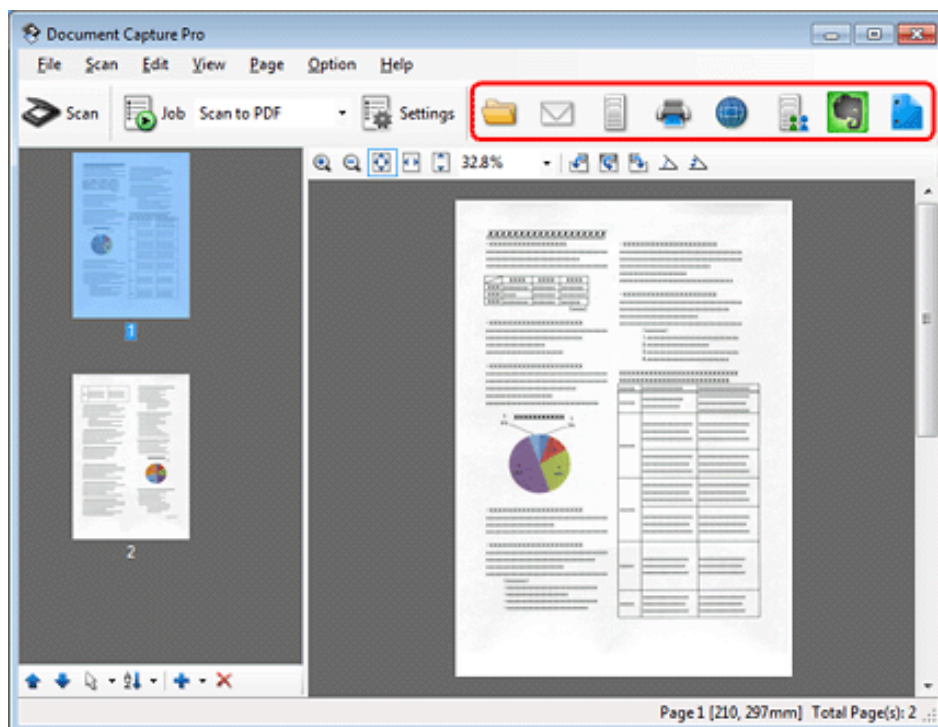
See help for details on Document Capture Pro.

- 1 Place your original(s).
- 2 Start Document Capture Pro.
- 3 Select the start button icon or **Start > All Programs or Programs > EPSON Software > Document Capture Pro**.
- 4 Click **Scan**.
- 5 Adjust settings in the Main Settings window as necessary, and then click **Scan**.

Click **Detailed Settings** if you want to make more detailed adjustments using the EPSON Scan window.

The document is scanned and displayed as an image in Document Capture Pro.

- 6 Check the scanned images (pages), and then edit as needed.
- 7 When you have finished checking the image, click the destination icon.



8 Adjust settings in the Save As window or the Print Settings window as necessary, and then click **OK**.

 **Note:**

Selecting **Apply job separation** on the Save As window activates the function to sort the documents into separate files by detecting blank pages or barcodes in your scanned images.

The scanned image is saved or uploaded to the location you specified.

[Home](#) > [Scanning Your Originals](#)

## Starting Scan Using the Epson Scan

 [Using the EPSON Scan Icon](#)

 [Using Another Scanning Program](#)

### Using the EPSON Scan Icon

---

You can start Epson Scan by double-clicking the **EPSON Scan** icon.

#### Windows:

Double-click the **EPSON Scan** icon on the desktop.

Or, select the start button icon or **Start** > **All Programs** or **Programs** > **EPSON** > **EPSON Scan** > **EPSON Scan**.

#### Mac OS X:

Open the **Applications** folder in your hard drive and double-click the **EPSON Scan** icon.

The Epson Scan window opens. See [Scanning Documents](#) for instructions on scanning with Epson Scan.

[Top](#) 

### Using Another Scanning Program

---

You can use any TWAIN-compliant scanning program to scan with your scanner. You open the program, select Epson Scan, and scan. When you are finished scanning, the scanned image opens in your scanning program so you can modify, print, and save it.

- 1 Start a TWAIN-compliant scanning program. Double-click the program icon on the desktop, if it is available, or do one of the following.

#### Windows:

Select the start button or **Start** > **All Programs** or **Programs** > program folder > program icon.

#### Mac OS X:

Open the **Applications** in your hard drive, select the program folder, and double-click the program icon.

- 2 Do one of the following.

#### ABBYY Fine Reader (Windows only):

See [Converting Scanned Documents Into Editable Text](#) for instructions.

In some programs, you must select the scanner as the "source" first. If you see a Select Source option, select it and select your scanner there first.

 **Note for Windows Vista and XP users:**



Do not select a WIA option for your scanner from the Import or Acquire list; you will not be able to use all the features of your scanner.

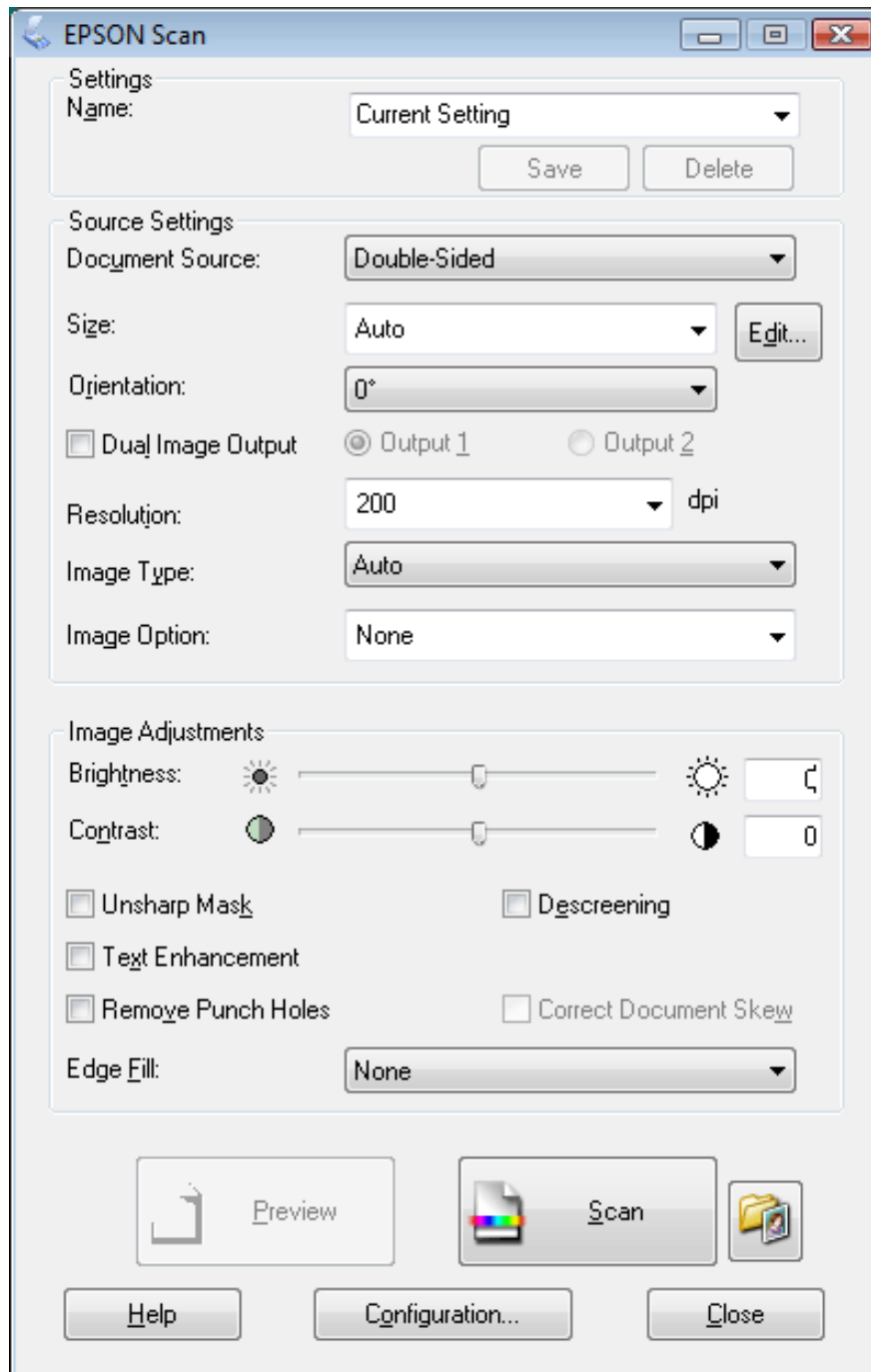
The Epson Scan window automatically opens. See [Scanning Documents](#) for instructions on scanning with Epson Scan.

[Top](#) 

Home > Scanning Your Originals

## ■ Scanning Documents

When you start Epson Scan, the following window appears. To scan documents, follow the steps below.



 **Note for Mac OS X users:**

The **Dual Image Output** feature is not available.

- 1 Load only the first page of your documents into the input tray. See [Loading Documents Directly](#) for instructions.
- 2 Start Epson Scan. See [Starting Scan Using the Epson Scan](#) for instructions.
- 3 Select one of these settings as the Document Source setting.
  - **Single-Sided**: Select this setting when you scan only one side of your document page.
  - **Double-Sided**: Select this setting when you scan both sides of your document page.
  - **Carrier Sheet (Single-Sided)**: Select this setting when you scan irregular shaped documents or documents with folds or wrinkles using the carrier sheet.
  - **Carrier Sheet (Stitch Images)**: Select this setting when you scan A3, B4, or US B size documents using the carrier sheet. Epson Scan scans images with double-sided setting, then outputs a stitched image.
- 4 Select the size of your original document as the Size setting.
- 5 Click the arrow to open the **Orientation** list and select the orientation of your document.
- 6 Click the arrow to open the **Resolution** list and select an appropriate resolution for your original. See [Selecting the Scan Resolution](#) for instructions.
- 7 Select **Auto**, **Color**, **Grayscale**, or **Black & White** as the Image Type setting.

 **Note:**

If you select **Grayscale** or **Black & White**, you can also select an **Image Option** setting, as described below.

Image Option Setting	Description
None	No Image Option setting is applied.
Dropout: Red	Drops out red from the scan.
Dropout: Green	Drops out green from the scan.
Dropout: Blue	Drops out blue from the scan.
Color Enhance: Red	Enhances red in the scan.
Color Enhance: Green	Enhances green in the scan.
Color Enhance: Blue	Enhances blue in the scan.


- 8 Click **Preview** to preview your image(s). The scanner loads the first page of your documents, then Epson Scan prescans it and displays it in the Preview window. The scanner then ejects your first page.
- 9 If necessary, you can draw a marquee (a line marking the scan area) around the portion of your document page that you want to scan in the Preview window. See [Creating a Marquee on a Preview Image](#) for instructions.
- 10 Make any other necessary Image Adjustment settings. See [Adjusting the Color and Other Image Settings](#) for details.

 **Note:**

You can save all of the selected settings as a group of custom settings with a Name, and later apply these custom settings to scanning. The custom settings are also available for Epson Event Manager. See Epson Scan Help for details.

- 11 Place the first page of your documents on top of the rest of the pages, then load the entire document (up to 75 pages) into the scanner with the printed side facing down and the top edge facing into the feeder.
- 12 Click **Scan**.

 **Note:**

If you need to stop scanning, press the  Cancel button on the scanner.


What happens next depends on how you started your scan. See [Finishing the Scan](#) for instructions.

If you have problems while scanning, see [Paper Feeding Problems](#).

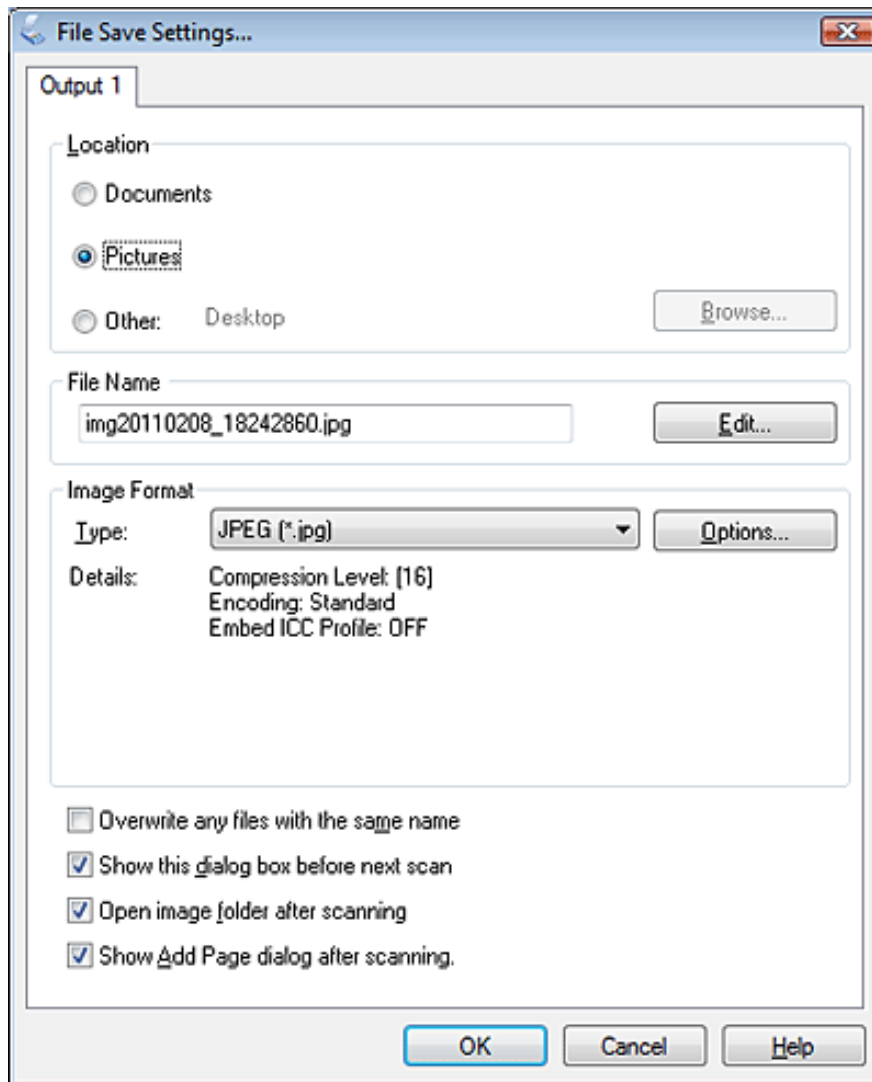
Home > Scanning Your Originals

## Selecting File Save Settings


When you see the File Save Settings window, you can select the location, name, and format of the scanned image file.

- 1 Click the  File Save Settings icon on the right of the Scan button.

The File Save Settings window appears.



 **Note:**

If you start Epson Scan from a TWAIN-compliant program, the  File Save Settings icon does not appear.

2 In the File Save Settings window, specify the file folder in which you want to save your scanned image.

Click the **Documents** or **Pictures** radio button, or the **My Documents** or **My Pictures** radio button.

If you want to select another folder, click the **Other** radio button, then click **Browse** (Windows) or **Choose** (Mac OS X) and select the folder. If you want to save your image on the desktop, simply click the **Other** radio button.

3 Specify the rules for a file name that each scanned image receives. The example of the file name based on the current naming rules is displayed. To change the naming rules, click **Edit**.

In the File Name Setting window, specify a file name prefix with an alphanumeric character string. Then specify the Number of Characters and Start Number. If you are scanning multiple images at once, each image will receive a different number.

For details on file name settings, see Epson Scan Help.

 **Note:**

The following characters cannot be used in the prefix.

Windows: \, /, :, \_ , \*, ?, ", <, > ,

Mac OS X: :

4 Click the arrow to open the Type list and select a file format as described in the following table. Depending on the format, the Options button may be available for making detailed settings.

Format (File Extension)	Description
BITMAP (*.bmp) (Windows only)	A standard image file format for Windows. Most Windows programs, including word processing programs, can read and prepare images in this format.
JPEG (*.jpg)	A compressed file format in which the Compression Level can be selected. The JPEG format lets you highly compress image data. However, the higher the compression, the lower the image quality. Any lost image quality data cannot be restored, and the quality deteriorates each time the data is saved. The TIFF format is recommended when modification and retouching are required.
Multi-TIFF (*.tif)	A TIFF format where multiple pages are saved to the same file. You can also edit the scanned images before saving them. See Epson Scan Help for details. To open Multi-TIFF files, you need a program that supports it.
PDF (*.pdf)	A document format that can be read on both Windows and Macintosh systems (platform independent). To use PDF documents in Windows, you need Adobe Reader or Acrobat. Multi-page documents can be saved as one PDF file. When you save color or grayscale images in PDF, you can select a Compression Level.
PICT(*.pct) (Macintosh only)	A standard image file format for Macintosh. Most Macintosh programs, including word processing programs, can read and prepare images in this format.
TIFF (*.tif)	A file format created for exchanging data between many programs, such as graphic and DTP software. When scanning black & white images, you can specify the Compression type.


5 The check boxes at the bottom of the window give you these options.

• **Overwrite any files with the same name**

Select this option if you want to reuse the selected file name and location and overwrite previous files with the same names.

• **Show this dialog box before next scan**

Select this option if you want the File Save Settings window to appear automatically before you scan. If you

deselect it, you must click the  File Save Settings icon to open the window before clicking the Scan

button.

■ **Open image folder after scanning**

Select this option if you want Windows Explorer or the Macintosh Finder to automatically open the folder where your scanned image file is saved when Epson Scan finishes scanning.

■ **Show Add Page dialog after scanning**

Select this option if you want the Add Page Confirmation window to appear automatically after each scan in PDF or multi-Tiff. The Add Page Confirmation window includes the **Add page**, **Edit page**, and **Save File** buttons.



Click **OK**.

[Home](#) > [Scanning Your Originals](#)

## Detailed Setting Instructions

- [Selecting the Scan Resolution](#)
- [Previewing and Adjusting the Scan Area](#)
- [Adjusting the Color and Other Image Settings](#)

### Selecting the Scan Resolution

You can select a specific Resolution setting for your images. Keep in mind that higher resolution settings increase scanning time, so do not select a higher resolution than you need. See the following table to reference the appropriate resolution setting to use so that you do not have to take more time than necessary.

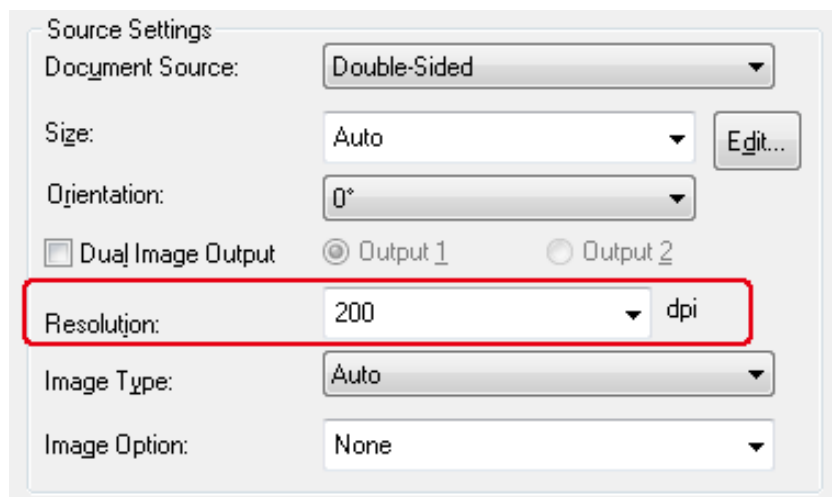
What you will do with the scanned image	Suggested scan resolution
Send via e-mail, upload to web, or view only on the screen	100 to 150 dpi
Print	400 dpi
Print, or convert to editable text (OCR) (for documents only)	400 dpi
Fax	200 dpi
Enlarge after scanning at 100%	Increase Resolution setting by same amount you will increase image size after scanning. For example, if the resolution is 300 dpi, but you will increase the image size to 200%, change the resolution setting to 600 dpi.

To select the resolution setting, see [Selecting the Resolution](#) for instructions.

#### Selecting the Resolution

You can select the resolution you want at any time.





Click the arrow next to the **Resolution** list and select the number of dpi (dots per inch) at which you want to scan.

[Top](#)

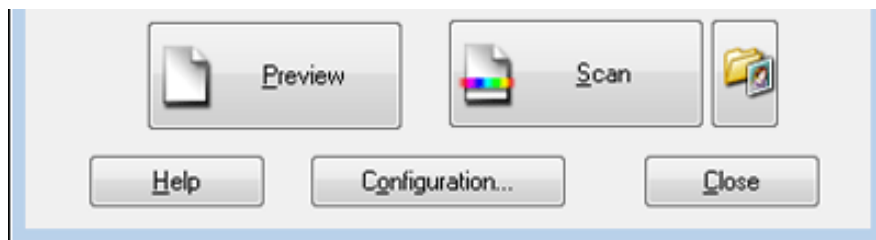
## Previewing and Adjusting the Scan Area

---

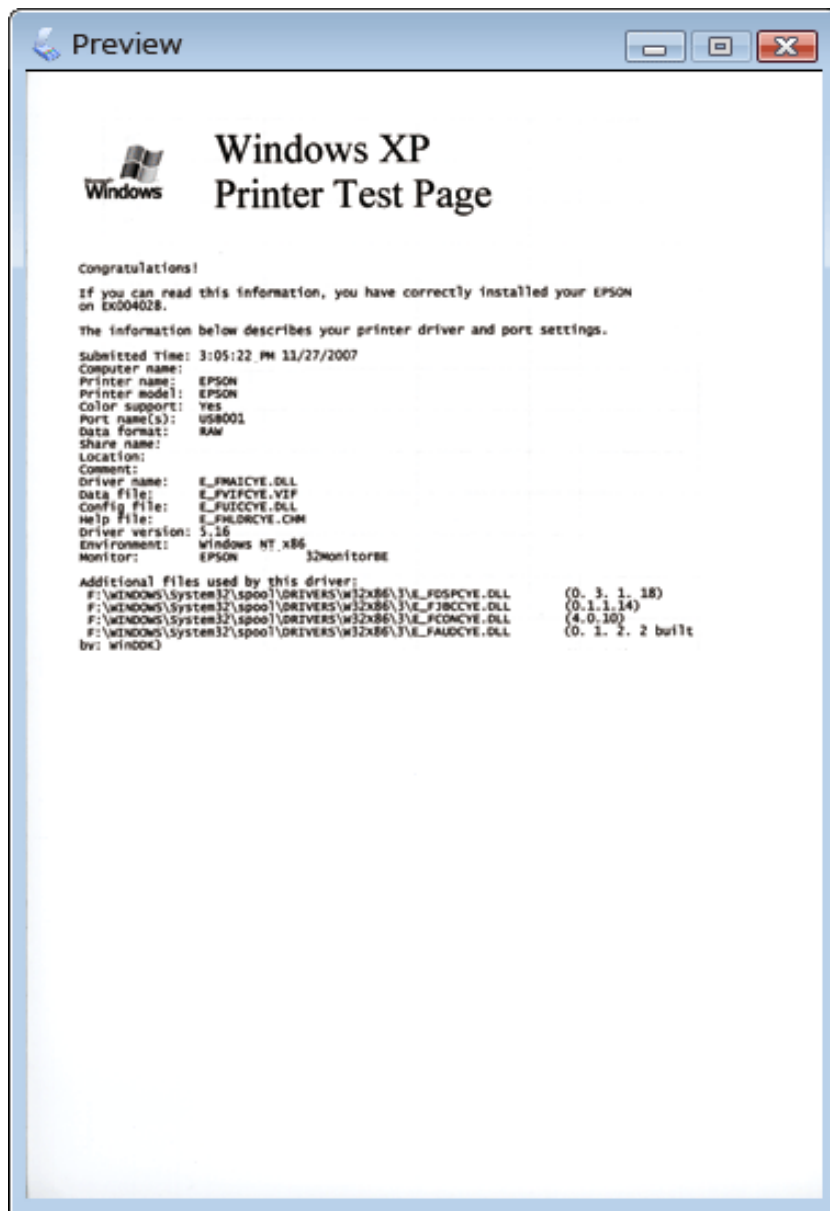
Once you have selected your basic settings and resolution, you can preview your image and select or adjust the image area of the image(s) in a separate Preview window on your screen.

Preview window displays your previewed image(s) in their entirety. You must select the scan area and make any image quality adjustments manually.

- 1 Click **Preview**.



Epson Scan prescans your image(s) and displays them in the Preview window.



- 2 To adjust the image quality, click the scan area(s) you want to modify and make the adjustments. See [Adjusting the Color and Other Image Settings](#) for instructions.

### Creating a Marquee on a Preview Image

A marquee is a moving dotted line that appears on the edges of your preview image to indicate the scan area.

 **Note:**

- Once you set the scan area using the marquee, it applies to all pages.
- Marquee is only available when **Single-Sided** or **Carrier Sheet (Single-Sided)** are selected as the Document Source.



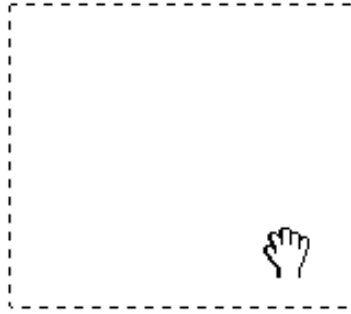
You can move the marquee and adjust its size. You can create only one marquee.

- 1 To draw a marquee, move your cursor over a preview image. The pointer becomes a set of cross-hairs.
- 2 Position the pointer in the area where you want to place the corner of your marquee and click. Hold down the mouse button and drag the cross-hairs over the image to the opposite corner of the desired scan area. Then release the mouse button. You see the moving dotted line of the marquee.

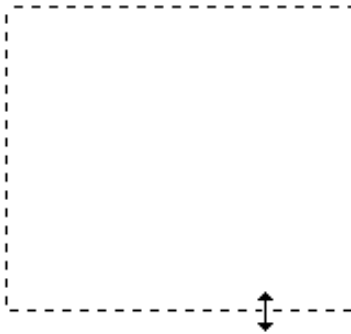


3 Do one of the following to adjust the marquee.

- To move the marquee, position your cursor inside the marquee. The pointer becomes a hand. Click and drag the marquee to desired location.



- To resize the marquee, position your cursor over the edge or corner of the marquee. The pointer becomes a straight or angled double-arrow. Click and drag the edge or corner to the desired size.



 **Note:**

- To restrict the movement of the marquee to vertical or horizontal only, hold down the **Shift** key as you move the marquee.
- To restrict the size of the marquee to the current proportions, hold down the **Shift** key as you resize the marquee.
- For best results and image exposure, make sure all four sides of the marquee are located inside the preview image. Do not include any of the area around the preview image in the marquee.
- To delete the marquee, press the **Delete** key.

Top 

## Adjusting the Color and Other Image Settings

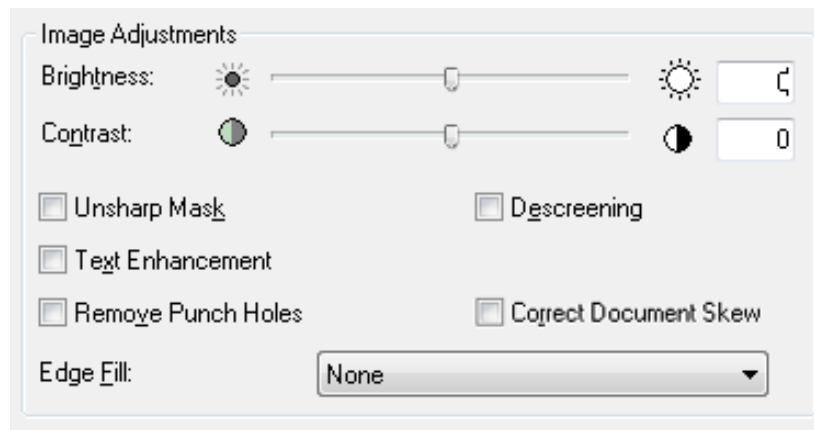
---

Once you have previewed your image(s) and adjusted the scan area, you can modify the image quality, if necessary. Epson Scan offers a variety of settings for improving color, sharpness, contrast, and other aspects affecting image quality. Before you make adjustments, be sure to click the image or marquee for the area you want to adjust.

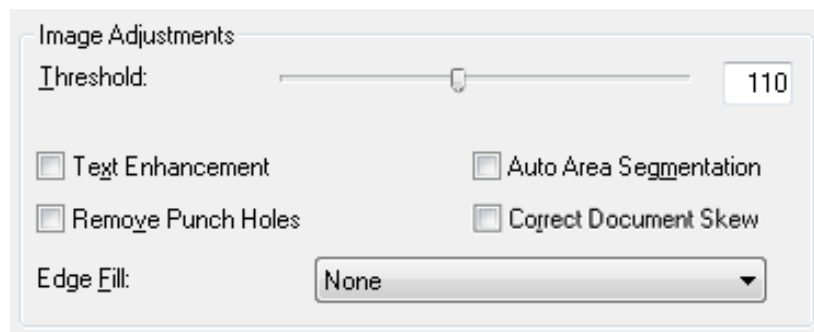
To adjust the color and other image settings, see [Making Color Adjustments and Other Image Settings](#).

**Making Color Adjustments and Other Image Settings**

## Image Type: Color or Grayscale



## Image Type: Black & White



The table below describes the settings available. For details on adjusting these settings, see Epson Scan Help.

Setting	Description
Brightness	Adjusts the overall image lightness and darkness. This setting is available only when the Image Type is set to Color or Grayscale.
Contrast	Adjusts the difference between the light and dark areas of the overall image. This setting is available only when the Image Type is set to Color or Grayscale.
Unsharp Mask	Turn on to make the edges of image areas clearer for an overall sharper image. Turn off to leave softer edges. This setting is available only when the Image Type is set to Color or Grayscale.
Descreening	Removes the rippled pattern that can appear in subtly-shaded image areas, such as in skin tones. Also improves results when scanning magazine or newspaper images which include screening in their original print processes. This setting is available only when the Image Type is set to Color or Grayscale. The results of descreening do not appear in the preview, only in your scanned image.
Text Enhancement	Enhances text recognition when scanning text documents.
Threshold	Adjusts the level at which the black areas in text and line art are delineated, improving text recognition in OCR programs. This setting is available only when the Image Type is set to Black & White.
Auto Area Segmentation	Makes grayscale images clearer and text recognition more accurate by separating the text from the graphics. This setting is available only when the Image Type is set to Black & White.
Remove Punch Holes	Removes the hole of punches in the output image.
Correct Document Skew	Detects the skew of the original images and corrects them.

Edge Fill	Corrects shadowing around the borders (the edges of the scanned document) by filling them with the selected color.
-----------	--

 **Note:**

- Certain settings may not be available, or may be automatically selected, depending on the type of image you are previewing and other settings you have selected.
- You can customize how certain Epson Scan settings behave by clicking **Configuration** and changing settings in the window that appears. See Epson Scan Help for details.

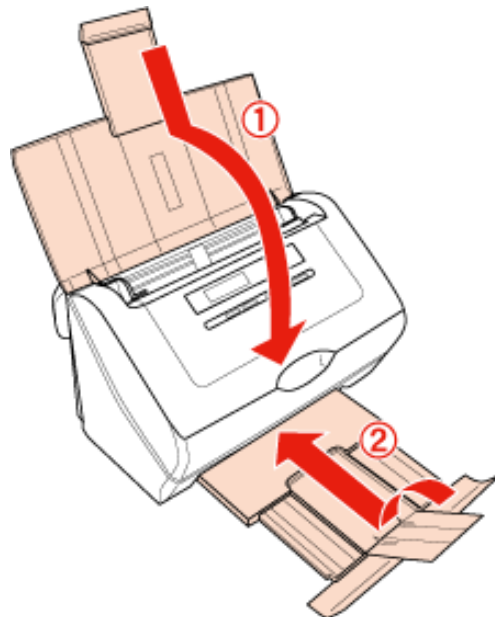
[Home](#) > [Scanning Your Originals](#)

## ■ Finishing the Scan

What happens after you scan depends on how you started your scan.

- If you started your scan by running Epson Scan from the EPSON Scan icon, you see the File Save Settings window. This lets you select the name and location of your saved scan files. See [Selecting File Save Settings](#) for details. After you select these settings, Epson Scan starts scanning.
- If you started your scan from a TWAIN-compliant program, your scanned image(s) opens in the program window. If Epson Scan does not automatically close after scanning, click **Close** to exit the Epson Scan window and view your image(s) in the program.

After finishing the scan, close the input tray and output tray.

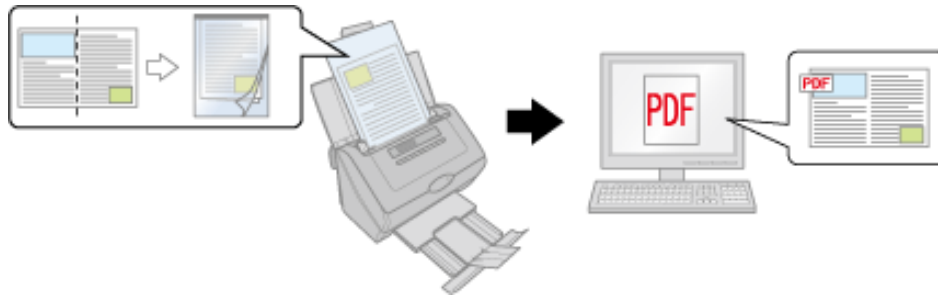


Home > Scanning Special Projects

## Scanning Documents with Carrier Sheet

When your document has an irregular shape, with folds or wrinkles, or larger than A4 size (A3, B4, and US B), you can scan them using the carrier sheet.

Option name	Part number
Carrier Sheet (5 sheets)	B12B813431



Follow the steps below for instructions on scanning with the carrier sheet.

 **Note:**

The Carrier Sheet should be replaced after every 500 scans\* or if scratched or stained.  
\* Replacement timeline may vary depending on usage.

- 1 Place the carrier sheet into the input tray. See [Loading Document with Carrier Sheet](#) for instructions.
- 2 Start Epson Scan. See [Starting Scan Using the Epson Scan](#) for instructions.
- 3 Select **Carrier Sheet (Single-Sided)** or **Carrier Sheet (Stitch Images)** as the Document Source setting.
  - **Carrier Sheet (Single-Sided)**: Select this setting when you scan irregular shaped documents or documents with folds or wrinkles using the carrier sheet.
  - **Carrier Sheet (Stitch Images)**: Select this setting when you scan A3, B4, or US B size documents using the carrier sheet. Epson Scan scans images with double-sided setting, then outputs a stitched image.
- 4 Select **Size**, **Orientation**, **Image Type**, and **Resolution** settings. See [Scanning Documents](#) for details.
- 5 Make any other necessary Image Adjustment settings. See [Adjusting the Color and Other Image Settings](#) for details.
- 6 Click **Scan**. The File Save Settings window appears.
- 7 Make File Save and PDF settings as necessary. See [Scanning Using Epson Scan](#) for details.
- 8 Click **OK**. Epson Scan scans your document.

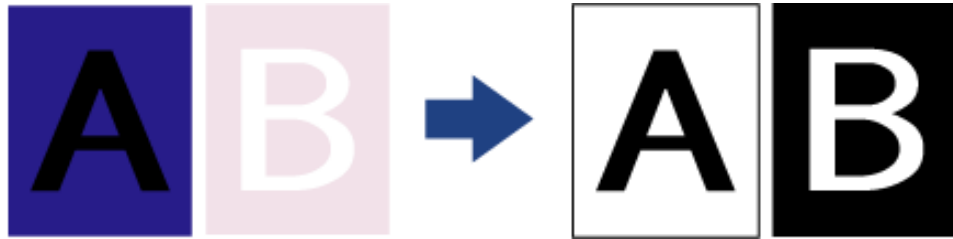




Home > Scanning Special Projects

## ■ Text Enhancement

When you scan documents, you can sharpen the text and increase accuracy by using the **Text Enhancement** feature in Epson Scan.

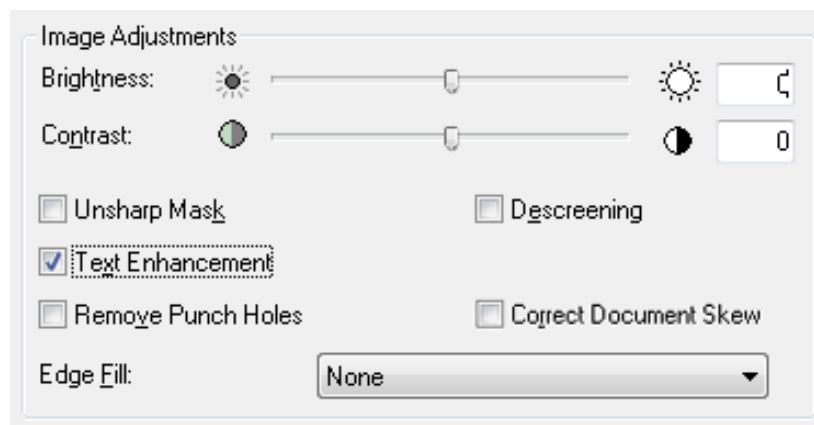


Follow the steps below for instructions on text enhancement.

 **Note:**

The instructions in this section are for scanning to a PDF file, but the text enhancement feature is available in all file formats. Text enhancement is also effective when you convert scanned documents into editable text. See [Converting Scanned Documents Into Editable Text](#) for details.

- 1 Load only the first page of your documents into the input tray. See [Loading Documents Directly](#) for instructions.
- 2 Start Epson Scan. See [Starting Scan Using the Epson Scan](#) for instructions.
- 3 Make necessary Source Settings. See [Scanning Documents](#) for details.
- 4 Click the **Text Enhancement** check box.




- 5 Click **Preview** to preview your image(s). The scanner loads the first page of your documents, then Epson Scan prescans it and displays it in the Preview window. The scanner then ejects your first page.
- 6 If necessary, you can draw a marquee (a line marking the scan area) around the portion of your document page that you want to scan in the Preview window. See [Creating a Marquee on a Preview Image](#) for instructions.
- 7 Make any other necessary Image Adjustment settings. See [Adjusting the Color and Other Image Settings](#) for details.
- 8 Place the first page of your documents on top of the rest of the pages, then load the entire document (up to 75 pages) into the scanner with the printed side facing down and the top edge facing into the feeder.
- 9 Click **Scan**. The File Save Settings window appears.
- 10 Make File Save Settings as necessary. See [Scanning Using Epson Scan](#) for details.
- 11 Click **OK**. Epson Scan scans your document.

[Home](#) > [Scanning Special Projects](#)

## ■ Scanning to a PDF File

### ⏴ Scanning Using Epson Scan

The easiest way to scan multiple document pages to a PDF file is to select the B&W PDF-Simplex, Color PDF-Simplex, or B&W PDF-Duplex function on the LCD screen, then press the  Start button on the scanner.

Using Epson Scan, you can create a PDF file with the following features.

**Scanning multiple document pages into a single PDF file:** You can scan multiple document pages and save them in a single PDF file.

**Assigning document security settings:** You can assign password settings to the PDF file.

**Creating a searchable PDF file (Windows only):** You can create a PDF file with search functionality, so that you can look for words in the file. (This feature may not be available in some countries.)

**Specifying the number of pages in a single PDF file:** You can specify the maximum number of pages that can be included in one PDF file. For example, if you are scanning a 20-page document, and specify the page number to be included in one PDF as 4, 5 PDF files are automatically created.

### **Note:**

You need ABBYY FineReader Sprint Plus that came with your scanner to use some of these features. If you have installed your scanning software as described on the Start Here sheet, it has already been installed. (ABBYY FineReader Sprint Plus may not be available in some countries.)

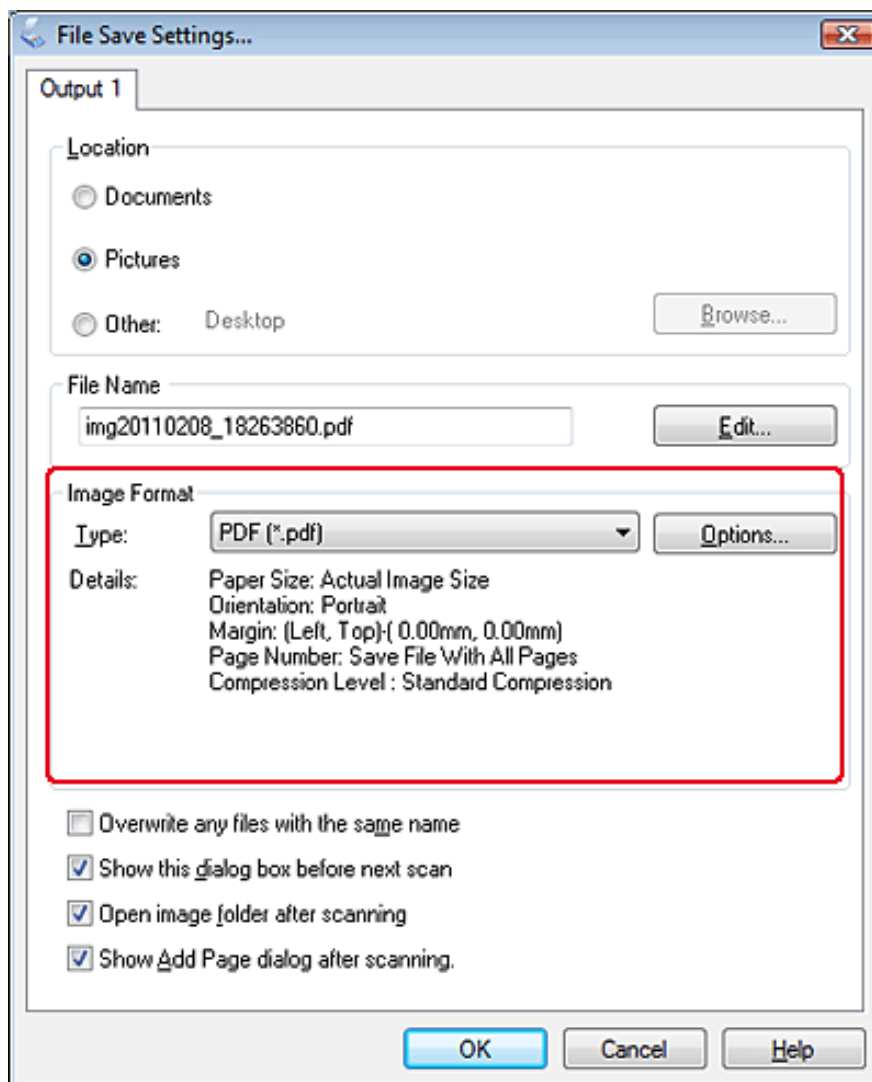
See [Scanning Using Epson Scan](#) to start scanning to a PDF file.

## Scanning Using Epson Scan

---

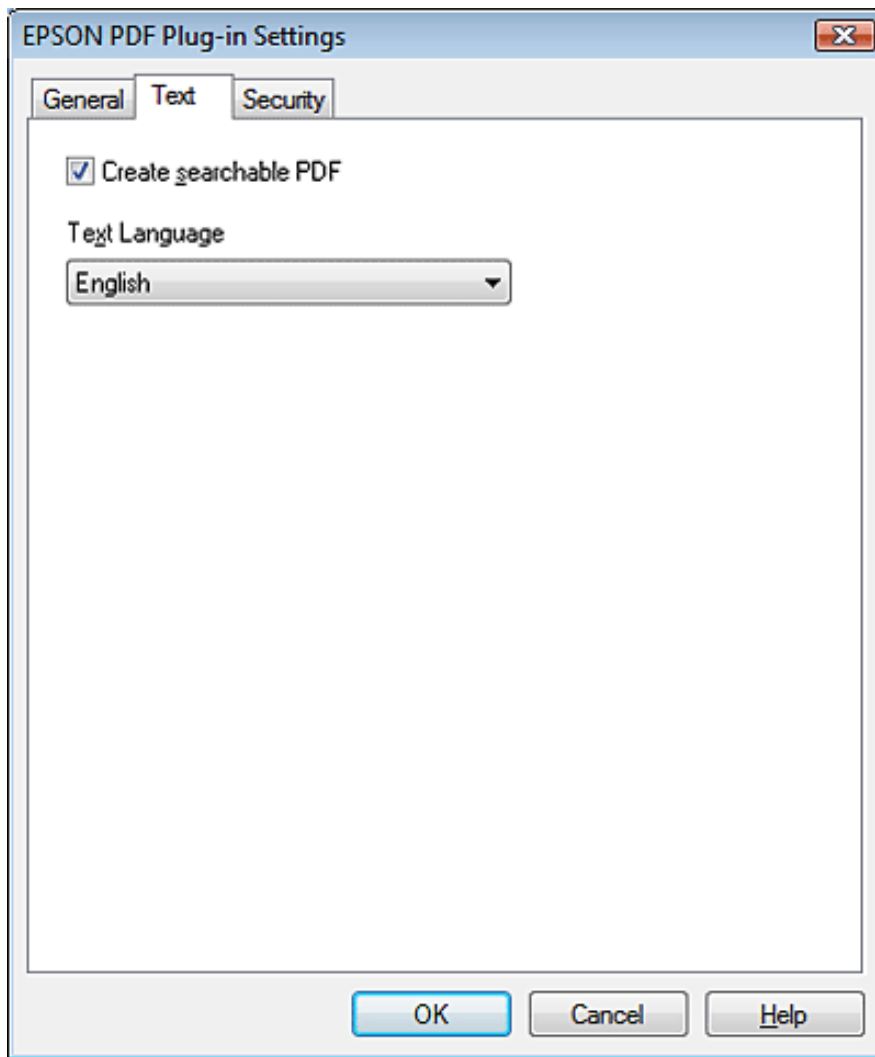
- 1** Load only the first page of your documents into the input tray. See [Loading Documents](#) for instructions.
- 2** Start Epson Scan. See [Starting Scan Using the Epson Scan](#) for instructions.
- 3** Make necessary Source Settings. See [Scanning Documents](#) for details.
- 4** Click **Preview** to preview your image(s). The scanner loads the first page of your documents, then Epson Scan prescans it and displays it in the Preview window. The scanner then ejects your first page.
- 5** If necessary, you can draw a marquee (a line marking the scan area) around the portion of your document page that you want to scan in the Preview window. See [Creating a Marquee on a Preview Image](#) for instructions.
- 6** Make any other necessary Image Adjustment settings. See [Adjusting the Color and Other Image Settings](#) for details.

- 7 Place the first page of your documents on top of the rest of the pages, then load the entire document (up to 75 pages) into the scanner with the printed side facing down and the top edge facing into the feeder.
- 8 Click **Scan**. The File Save Settings window appears.
- 9 Select **PDF** as the Type setting. The current Paper Size, Orientation, Margin, and other settings are displayed below it.



- 10 Click **Options**. You see the EPSON PDF Plug-in Settings window.

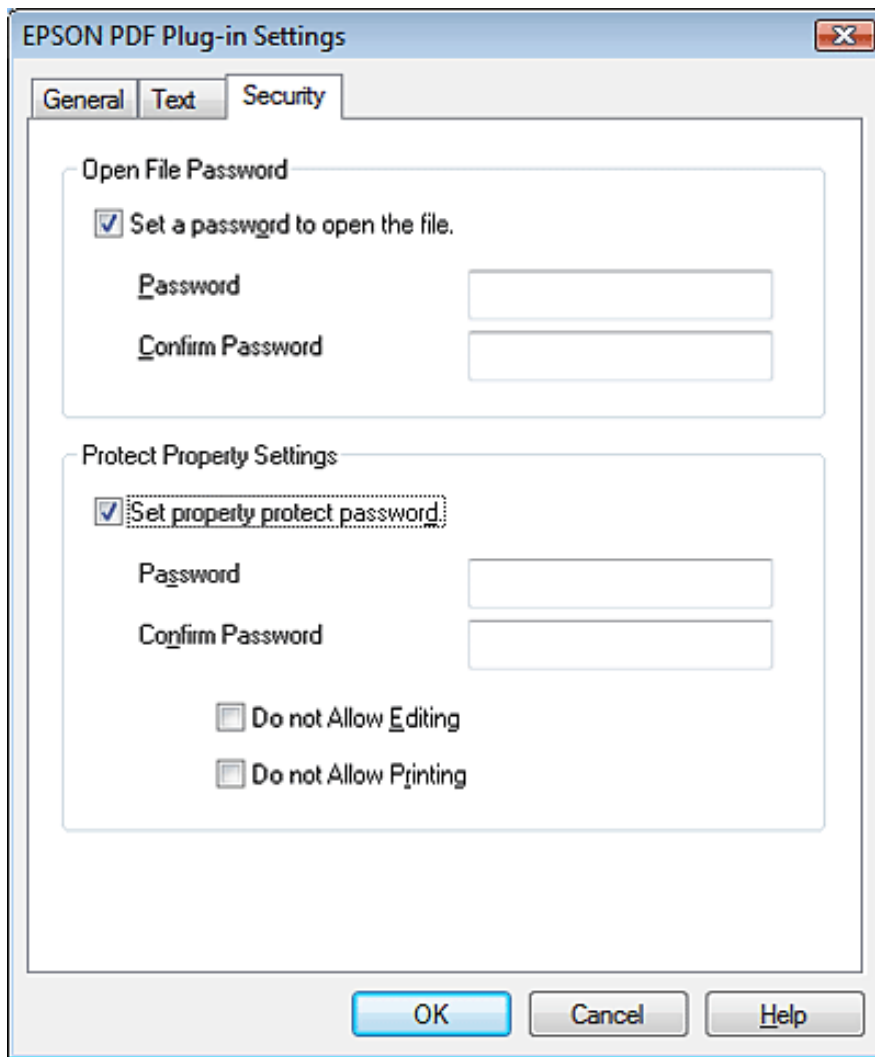
To create a searchable PDF file, click the **Text** tab, select the **Create searchable PDF** check box, then select your language from the **Text Language** list.



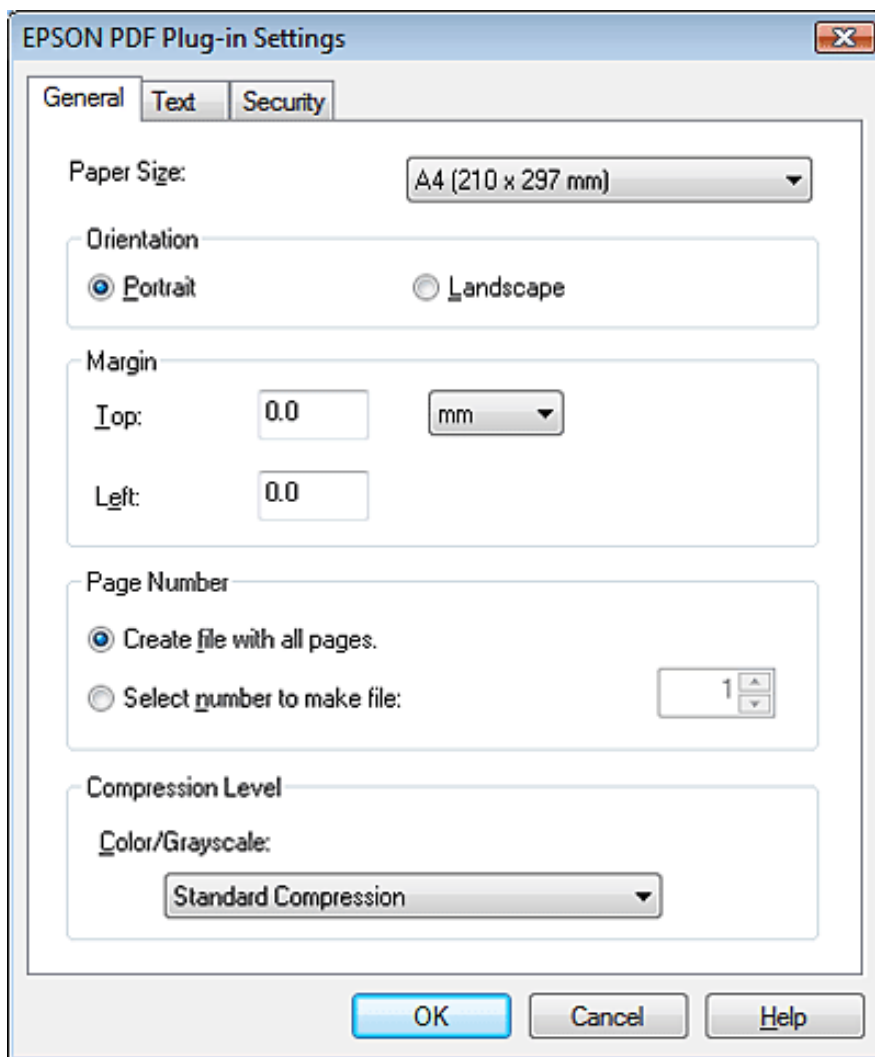
 **Note:**

- The searchable PDF function is available for Windows only.
- The Text tab is available only when ABBYY FineReader Sprint Plus is installed. If ABBYY FineReader Sprint Plus is not available in your country, you will not see the Text tab.

To assign password settings to the PDF file, click the **Security** tab and select the password settings.

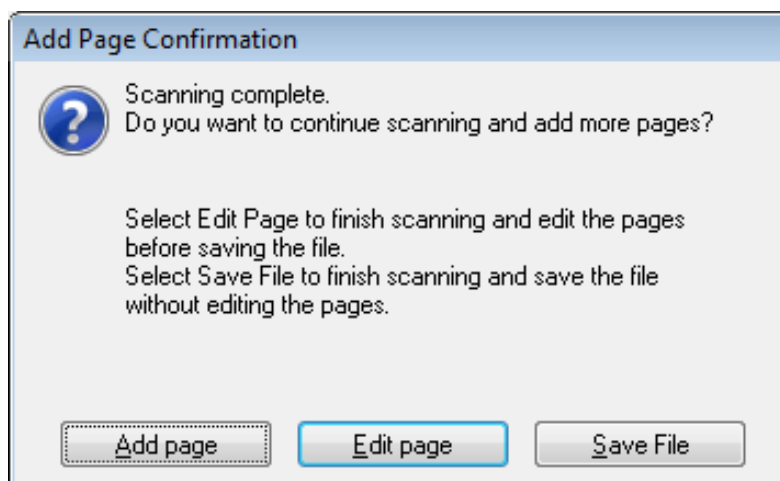


To specify the maximum number of pages that can be included in one PDF file, click the **General** tab and adjust the **Select number to make file** setting.



For other settings in the EPSON PDF Plug-in Settings window, see Epson Scan Help for details.

- 11 Select the settings that match your document and click **OK**. You return to the File Save Settings window.
- 12 Make any other file save settings, and click **OK**. Epson Scan scans your document and displays the window below.



 **Note:**

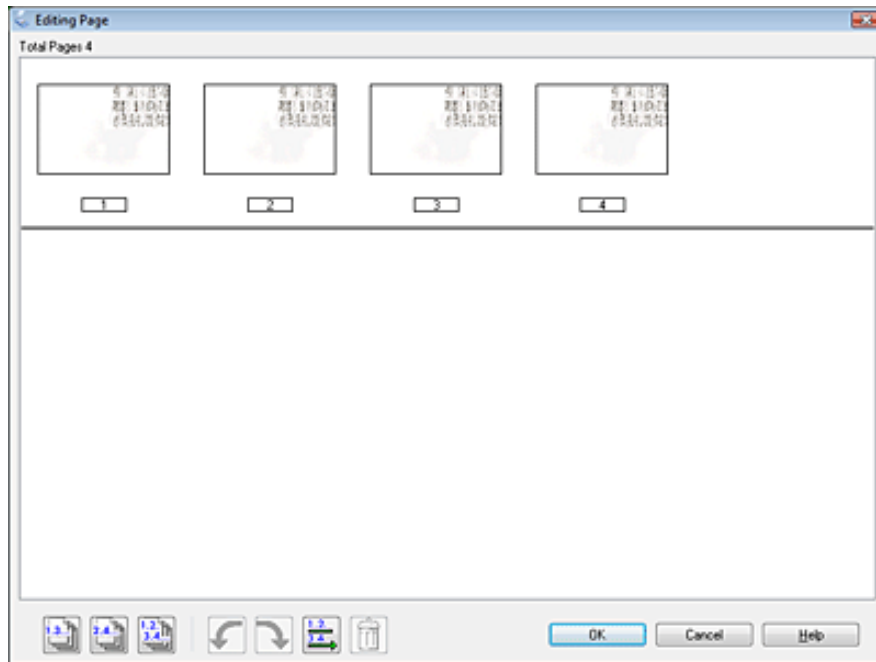


If you deselect the **Show Add Page dialog after scanning** check box in the File Save Settings window, this window does not appear and Epson Scan automatically saves your document.

13 Select one of the following options.






- **Add page:** Click this button to scan the next page of your document. Replace the first page with the next page, and click **Scan**. Repeat this step for each page in your document. When you are finished, click **Edit page** and go to step 14.
- **Edit page:** Click this button if you have scanned all the necessary pages so you can edit the scanned pages before saving them in one PDF file. Then go to step 14.
- **Save File:** Click this button when you are ready to finish scanning and save the scanned pages into one PDF without editing them. Then go to step 16.




14 You see the Editing Page window displaying thumbnail images of each scanned page.




Use the tools at the bottom of the Editing Page window to select, rotate, reorder, and delete pages.

If you want to include all the document pages in your PDF files as they currently look, go to step 15.

If you want to rotate pages, click the pages, or use the  odd pages,  even pages, or  all pages icon to select the pages, then click the  left or  right rotate icon to rotate them.

If you want to delete pages, click the pages, or use the  odd pages, or  even pages icon to select the pages, then click the  delete icon to delete them.

 **Note:**

The  delete icon is not available when all pages are selected.

For further details on the tools in the Editing Page window, see Epson Scan Help.

**15** When you have finished editing your pages, click **OK**. The pages are saved in one PDF file in Pictures, My Pictures, or the location you selected in the File Save Settings window, and you return to the Epson Scan window.

**16** Click **Close** to exit Epson Scan.

[Top](#) 

Home > Scanning Special Projects

## Using the Scanner as a Copier

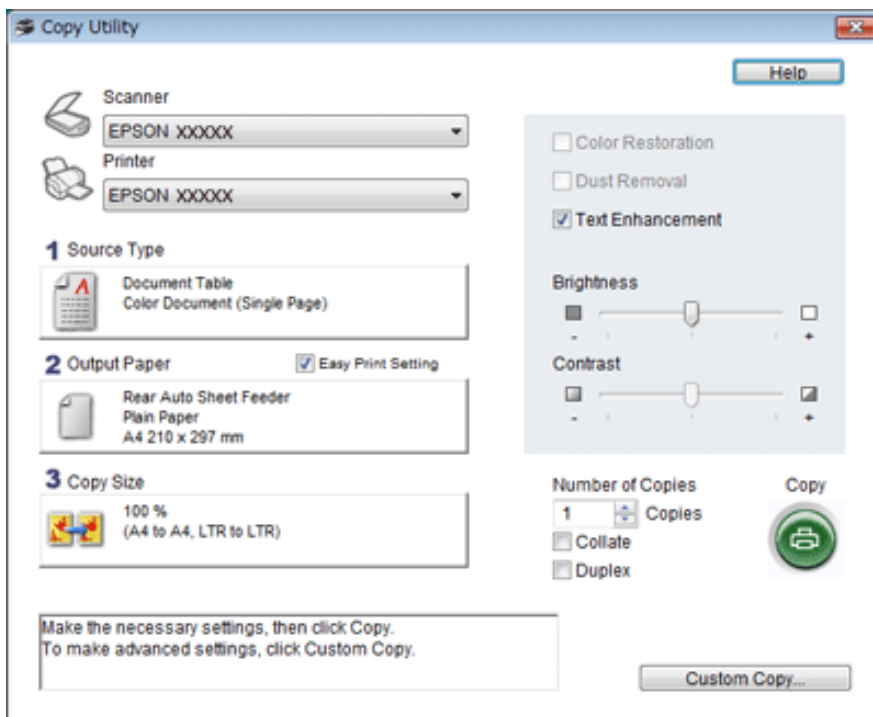
You can use your scanner along with a printer connected to your computer just like you would use a copy machine. You can even enlarge and reduce, enhance text, and adjust image brightness as you copy.

- 1 Load only the first page of your documents into the input tray. See [Loading Documents](#) for instructions.
- 2 Do one of the following to start the Copy Utility.

**Windows:** Select the start button or **Start > Programs** or **All Programs > Epson Software > Copy Utility**.

**Mac OS X:** Select **Applications > Epson Software > Copy Utility**, and double-click the **Copy Utility** icon.

You see the Copy Utility window. (Your Copy Utility window may look slightly different.)



- 3 Select your scanner from the **Scanner** list at the top of the window.
- 4 Select your printer from the **Printer** list.
- 5 Click the **Source Type** box, select the type of original(s) you are copying, and click **OK**. See the table below for guidance.

Source Type setting	Type of document
Color Document (Single Page)	One-page color documents containing text or text and graphics, such as a flyer.

Black & White Document (Single Page)	One-page black and white documents containing text or text and graphics, such as a letter.
Color Document (Multiple Pages)	Multiple page color documents containing text or text and graphics, such as a brochure.
Black & White Document (Multiple Pages)	Multiple page black and white documents containing text or text and graphics, such as a manual.

- 6 Click the **Output Paper** box, select the type and size of paper you loaded in your printer, and click **OK**.

 **Note:**

If you deselect the Easy Print Setting check box in the Copy Utility window, you see the printer settings window. See your printer documentation for instructions on selecting settings.

- 7 If you want to enlarge or reduce your image(s) as you copy it, click the **Copy Size** box, select the enlargement/reduction, and click **OK**.
- 8 If you are copying a color or black-and-white document, you can improve the definition of text and line art by leaving the **Text Enhancement** check box checked. It is available only when the Source Type is **Color Document (Single Page)**, **Black & White Document (Single Page)**, **Color Document (Multiple Pages)**, or **Black & White Document (Multiple Pages)**.
- 9 If you need to adjust the lightness or darkness of your original(s) as you copy, click the slider beneath the **Brightness** setting.
- 10 Click the arrow in the **Number of Copies** box to select the number of copies you want, if necessary.
- 11 When you are ready to scan and print, click **Copy**.

[Home](#) > [Scanning Special Projects](#)

## ■ Scanning Directly to an E-mail

You can scan and automatically attach scanned image file(s) to an e-mail message by selecting **Color Jpeg to E-mail** function on the LCD screen (Mac OS X only).

- 1 Load only the first page of your documents into the input tray. See [Loading Documents](#) for instructions.
- 2 Select the **Color Jpeg to E-mail** function on the LCD screen.
- 3 Epson Scan scans your document and displays the Send File Via E-mail window.
- 4 Select the e-mail program you use in the Select E-mail Application list.
- 5 If you scanned photos and want to resize them, choose an option under Select Photo Size.

 **Note:**

The box at the bottom of the window displays information about the image file(s) you are attaching to the e-mail message.

- 6 Click **OK**. Your e-mail program is opened and any scanned images you selected are attached to a new e-mail message. See your e-mail program Help if you need instructions on sending your e-mail message.

[Home](#) > [Scanning Special Projects](#)

## Converting Scanned Documents Into Editable Text

You can scan a document and convert the text into a format data that you can edit with a word processing program. This process is called OCR (Optical Character Recognition). To scan and use OCR, you need to use an OCR program, such as the ABBYY FineReader program.

### Note:

ABBYY FineReader Sprint Plus may not be included in some countries.

OCR software cannot recognize or has difficulty recognizing the following types of documents or text.

- Handwritten characters
- Items that have been copied from other copies
- Faxes
- Text with tightly spaced characters or line pitch
- Text that is in tables or underlined
- Curative or italic fonts, and font sizes less than 8 points

Follow the steps below to scan and convert text using ABBYY FineReader.

**1** Load only the first page of your documents into the input tray. See [Loading Documents](#) for instructions.

**2** Do one of the following to start ABBYY FineReader.

**Windows:** Select the start button or **Start > Programs** or **All Programs > ABBYY FineReader 6.0 Sprint > ABBYY FineReader 6.0 Sprint**.

**Mac OS X:** Select **Applications > ABBYY FineReader 5 Sprint Plus**, and double-click the **Launch FineReader 5 Sprint** icon.

ABBYY FineReader window appears.

**3** Click the **Scan&Read** icon at the top of the window. Epson Scan starts.

### Note for Mac OS X users:

If you do not see a Scan&Read icon, choose **Select Scanner** from the Scan&Read menu, select your scanner, and click **OK**. Then select **Scan&Read** from the Scan&Read menu to start Epson Scan.

**4** Select one of these settings as the Document Source setting.

- **Single-Sided:** Select this setting when you scan only one side of your document page.
- **Double-Sided:** Select this setting when you scan both sides of your document page.
- **Carrier Sheet (Single-Sided):** Select this setting when you scan irregular shaped documents or documents with folds or wrinkles using the carrier sheet.
- **Carrier Sheet (Stitch Images):** Select this setting when you scan A3, B4, or US B size documents using the carrier sheet. Epson Scan scans images with double-sided setting, then outputs a stitched image.

- 5 Select the size of your original document as the Size setting.
- 6 Click the arrow to open the **Orientation** list and select the orientation of your document.
- 7 Select **400** as the Resolution setting.
- 8 Select **Auto**, **Color**, **Grayscale**, or **Black & White** as the Image Type setting.
- 9 Click **Preview** to preview your image(s). The scanner loads the first page of your documents, then Epson Scan prescans it and displays it in the Preview window. The scanner then ejects your first page.
- 10 If necessary, you can draw a marquee (a line marking the scan area) around the portion of your document page that you want to scan in the Preview window. See [Creating a Marquee on a Preview Image](#) for instructions.
- 11 Make any other necessary Image Adjustment settings. See [Adjusting the Color and Other Image Settings](#) for details.
- 12 Place the first page of your documents on top of the rest of the pages, then load the entire document (up to 75 pages) into the scanner with the printed side facing down and the top edge facing into the feeder.
- 13 Click **Scan**. Your document is scanned, processed into editable text, and opened in the ABBYY FineReader window.

 **Note:**


If the characters in your text are not recognized very well, you can improve recognition by selecting the **Text Enhancement** check box or adjusting the **Threshold** setting. See [Adjusting the Color and Other Image Settings](#) for instructions.

- 14 Follow the instructions in ABBYY FineReader Help to edit and save your document.

Home > Scanning Special Projects

## Assigning a Program to LCD Screen Menu List

### Assigning a Project Program in Epson Event Manager to a LCD Screen Menu List

Each action on the LCD screen opens a pre-selected program when you select and press the  Start button. The default programs they open and the default actions they perform are described in the table below.

#### Note for Mac OS X users:

Only the number of the action is displayed on the LCD screen. To confirm the action, check the Epson Event Manager window. See [Assigning a Project Program in Epson Event Manager to a LCD Screen Menu List](#) for instructions.

Job name	Default action
B&W PDF-Simplex (Mac OS X) or Scan to PDF (B&W) (Windows)	Scans into Black and White images. The scanner scans only one side of the documents and saves into PDF format.
Color PDF-Simplex (Mac OS X) or Scan to PDF (Color) (Windows)	Scans into Color images. The scanner scans only one side of the documents and saves into PDF format.
B&W PDF-Duplex (Mac OS X only)	Scans into Black and White images. The scanner scans both sides of the documents and saves into PDF format.
Color Jpeg to E-mail (Mac OS X only)	Scans into Color images. After you scan, the Send File Via E-mail window appears.
Scan to PDF (Gray) (Windows only)	Scans into grayscale images. The scanner scans and saves into PDF format.
Scan to PDF (Auto) (Windows only)	Automatically detects the document source, scans both sides of documents, and saves into PDF format.

## Assigning a Project Program in Epson Event Manager to a LCD Screen Menu List

You can assign any of the LCD screen menu items to open a program in the Epson Event Manager to make scanning your projects even quicker (Mac OS X only).

**1** Do the following to start Epson Event Manager:

**Mac OS X:** Select **Applications > Epson Software**, and double-click the **Launch Event Manager** icon.

You see the Button Settings tab in Epson Event Manager.

**2** Select your scanner from **Scanner**.

**3** Click the arrow in the list next to the action name, then select the action you want to assign.

- **Scan and Save:** Epson Scan starts. See [Scanning Documents](#) for instructions.
- **Scan and Copy:** Copy Utility starts. See [Using the Scanner as a Copier](#) for instructions.



- 4 If you want to add the action, click **Make Job Settings**. Enter the Job Description and make the necessary Scan Settings, and then click **OK**.

 **Note:**

After you finish the job settings, go back to step 3 and select the action you set.

- 5 Click **Close** to close the Epson Event Manager window.

Now whenever you select the item from the LCD screen menu list you assigned, the action you selected opens.

**Scanning to FTP, SharePoint or WebFolder (Windows only):**

You can automatically upload your scanned documents to an FTP folder, Microsoft SharePoint server or to a WebFolder (WebDAV).

Select the function you want to use from the Event Manager **Launch Action** list box.

Contact your FTP or SharePoint Server administrator for the respective site addresses.

 **Note:**

If you need help using Epson Event Manager, click **Help**, then **Epson Event Manager Help..**

[Home](#) > [Maintenance](#)

## ■ Cleaning the Scanner

To keep your scanner operating at its best, clean it periodically using the following procedure.






 **Caution:**

- Do not press the glass surface inside the scanner with any force.
- Be careful not to scratch or damage the glass surface inside the scanner, and do not use a hard or abrasive brush to clean it. A damaged glass surface can decrease the scan quality.
- Never use alcohol, thinner, or corrosive solvent to clean the scanner. These chemicals can damage the scanner components and the case.
- Be careful not to spill liquid into the scanner mechanism or electronic components. This could permanently damage the mechanism and circuitry.
- Do not spray lubricants inside the scanner.

- 1 Turn off the scanner.
- 2 Remove all paper from the input tray.
- 3 Unplug the AC adapter from the scanner.
- 4 Clean the outer case with a cloth dampened with mild detergent and water.

[Home](#) > [Maintenance](#)

## Cleaning Inside the Scanner

-  [Opening the Scanner Cover](#)
-  [Cleaning the Glass Surface](#)
-  [Cleaning the Paper Path Rollers](#)
-  [Cleaning the Separation Pad](#)
-  [Cleaning the Paper Feed Roller](#)

When scanned images have streaks or when scanned documents become dirty, clean inside the scanner.

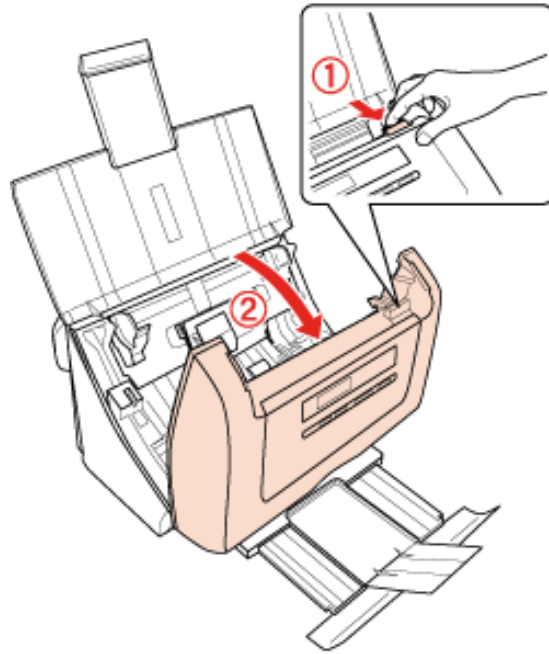
### **Caution:**

- Do not press the glass surface inside the scanner with any force.
- Be careful not to scratch or damage the glass surface inside the scanner, and do not use a hard or abrasive brush to clean it. A damaged glass surface can decrease the scan quality.
- Never use alcohol, thinner, or corrosive solvent to clean the scanner. These chemicals can damage the scanner components and the case.
- Be careful not to spill liquid into the scanner mechanism or electronic components. This could permanently damage the mechanism and circuitry.
- Do not spray lubricants inside the scanner.

## Opening the Scanner Cover

---

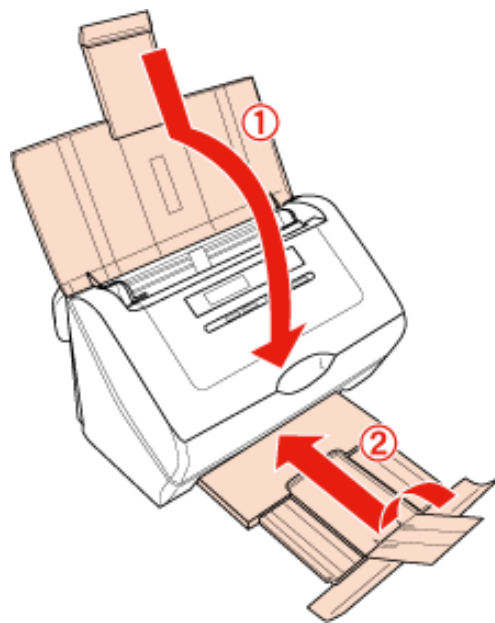
- 1** Turn off the scanner.
- 2** Remove all paper from the input tray.
- 3** Unplug the AC adapter from the scanner.
- 4** Pull the cover open lever and open the scanner cover.



After opening the scanner cover, see the following sections.

- [Cleaning the Glass Surface](#)
- [Cleaning the Paper Path Rollers](#)
- [Cleaning the Separation Pad](#)
- [Cleaning the Paper Feed Roller](#)

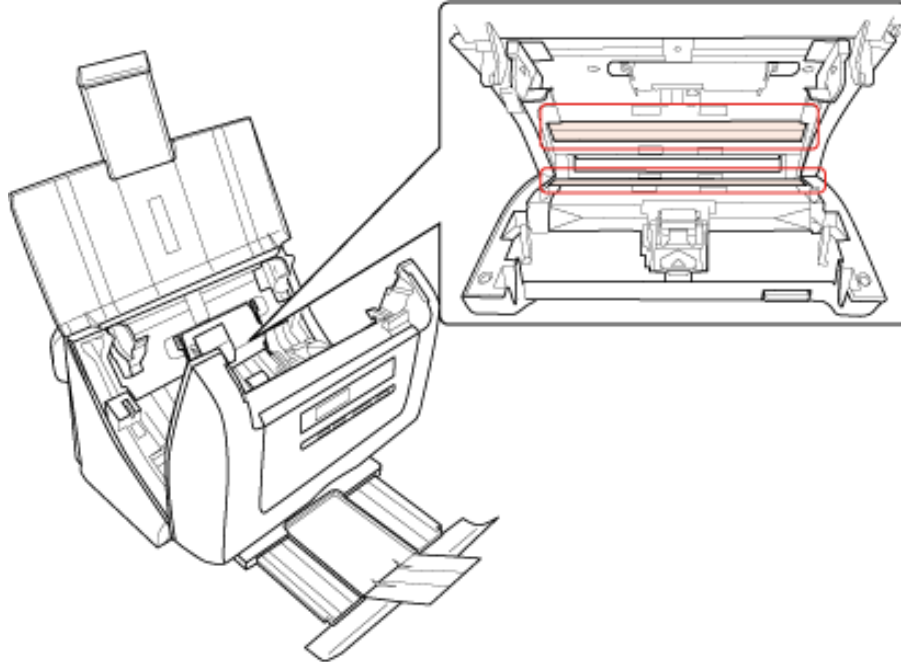
**5** After cleaning finishes, close the input tray and output tray.



## Cleaning the Glass Surface

---

- 1 Open the scanner cover. See [Opening the Scanner Cover](#) for instructions.
- 2 If the glass surface inside the scanner gets dirty, clean it with a soft dry lint-free cloth. If the glass surface is stained with grease or some other hard-to-remove material, use a small amount of glass cleaner with a soft cloth to remove it. Wipe off all remaining liquid.



 **Caution:**

Do not spray glass cleaner directly on the scanner glass.

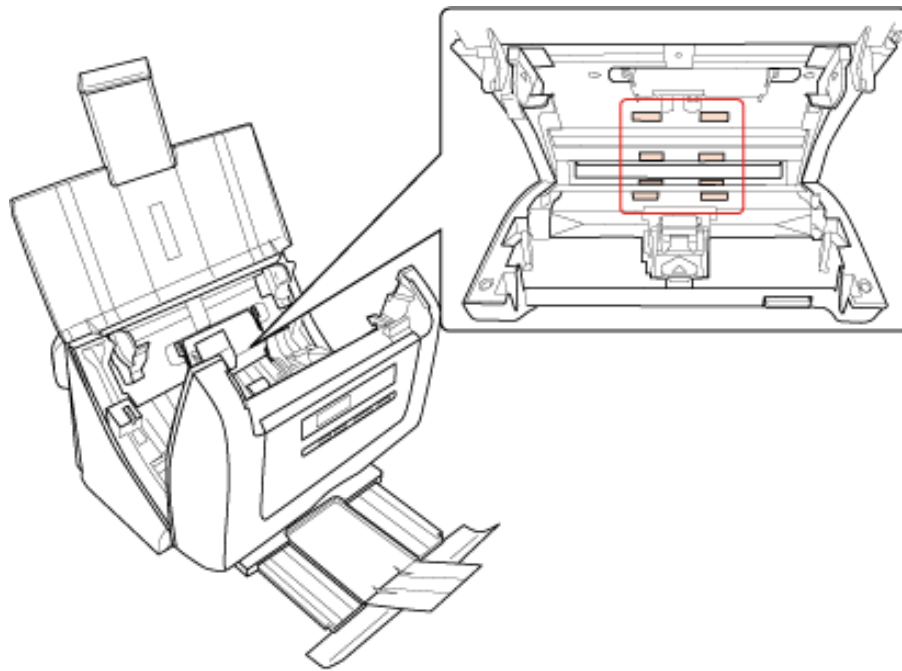
Make sure that no dust builds up on the glass surface inside the scanner. Dust can cause abnormalities or lines in your scanned images.

[Top](#) 

## Cleaning the Paper Path Rollers

---

- 1 Open the scanner cover. See [Opening the Scanner Cover](#) for instructions.
- 2 Wipe the rollers with a cloth dampened with water and thoroughly wrung out.



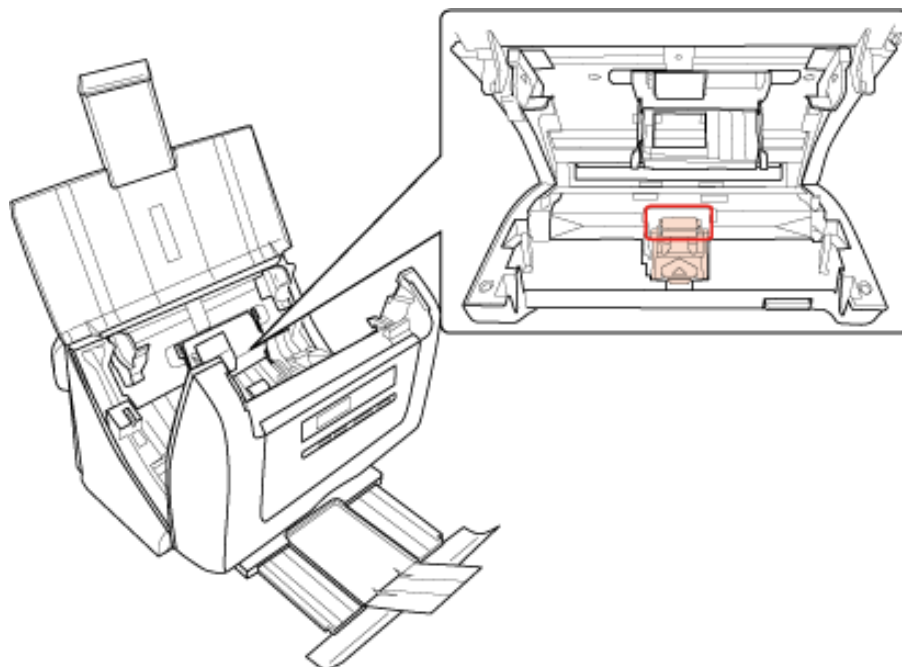
- 3 Wipe off all remaining liquid with a soft dry cloth.
- 4 Make sure that the rollers are completely dry before using the scanner.

[Top](#) 

## Cleaning the Separation Pad

---

- 1 Open the scanner cover. See [Opening the Scanner Cover](#) for instructions.
- 2 Wipe the separation pad downwards with a cloth dampened with water and thoroughly wrung out.



 **Caution:**

Avoid catching the cloth on the spring.

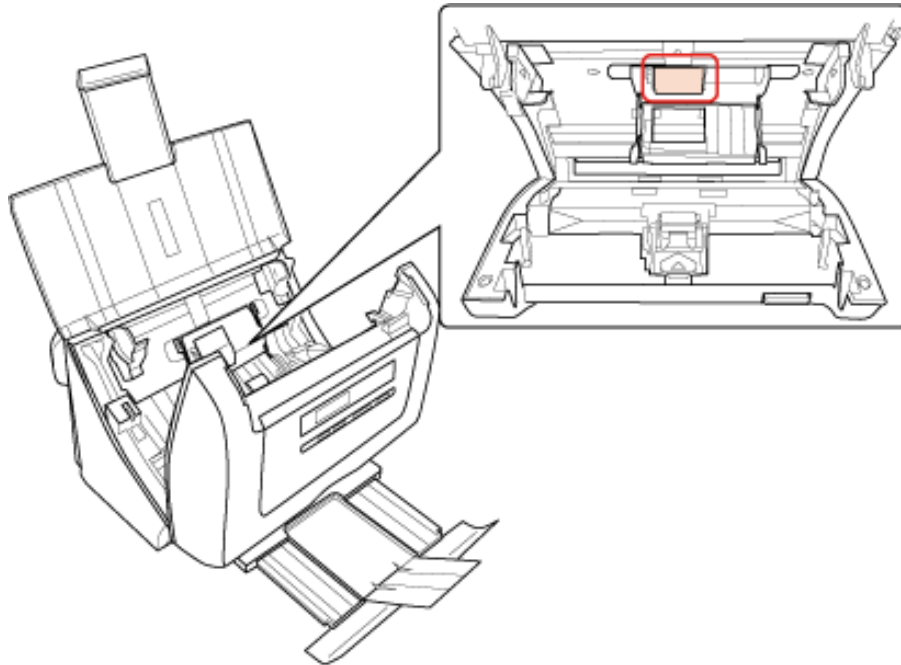
- 3 Wipe off all remaining liquid with a soft dry cloth.
- 4 Make sure that the separation pad is completely dry before using the scanner.

[Top](#) 

## Cleaning the Paper Feed Roller

---

- 1 Open the scanner cover. See [Opening the Scanner Cover](#) for instructions.
- 2 Wipe the roller lightly with a cloth dampened with water and thoroughly wrung out.



 **Caution:**

Be careful not to scratch or damage the roller.

- 3 Wipe off all remaining liquid with a soft dry cloth.
- 4 Make sure that the rollers are completely dry before using the scanner.

[Top](#) 

[Home](#) > [Maintenance](#)

## ■ Replacing the Scanner Light Source

The luminosity of the scanner light source declines over time. If the light source breaks or becomes too dim to operate normally, the scanner stops working and both the Power and Error lights rapidly flash. When this happens, the light source assembly must be replaced by a professional. For details, contact Epson for support. See EPSON Technical Support for more information.



**Caution:**

Never open the scanner case. If you think repairs or adjustments are necessary, contact Epson for support.

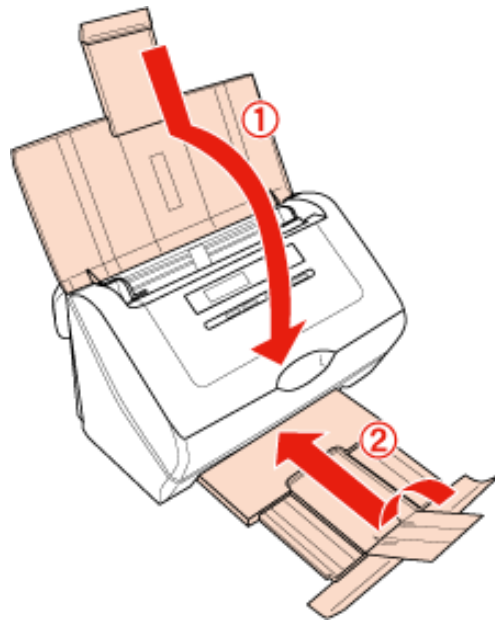


[Home](#) > [Maintenance](#)

## ■ Transporting the Scanner

If you need to transport your scanner some distance, carefully prepare and repack it as described below.

- 1 Turn off the scanner, then unplug the AC adapter cord.
- 2 Disconnect all the cables from the scanner.
- 3 Remove all paper from the input tray.
- 4 Close the input tray and output tray.



- 5 Attach the packing materials that came with the scanner, then repack the scanner in its original box or a similar box that fits the scanner snugly.

[Home](#) > [Maintenance](#)

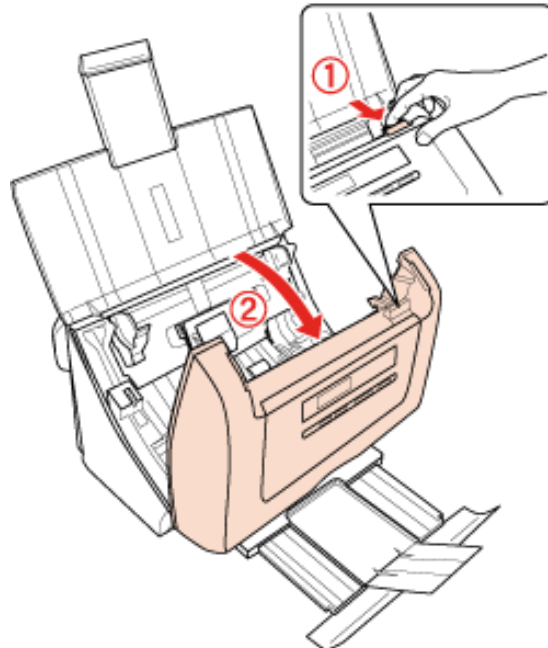
## Replacing the Roller Assembly Kit

You need to replace the parts on the roller assembly kit after scanning every 100,000 times.

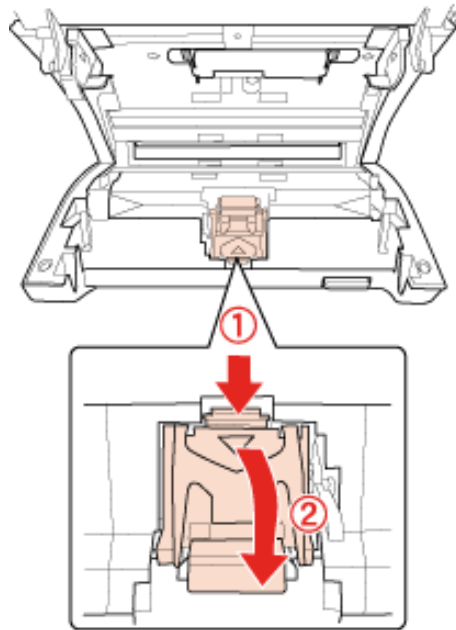
Removal part	Part number	Number of scanning
Roller Assembly Kit	B12B813421	100,000

To replace the roller assembly kit, follow the steps below.

- 1 Turn off the scanner.
- 2 Remove all paper from the input tray.
- 3 Unplug the AC adapter from the scanner.
- 4 Pull the cover open lever and open the scanner cover.



- 5 Press the hook on the separation pad, then remove the installed separation pad.

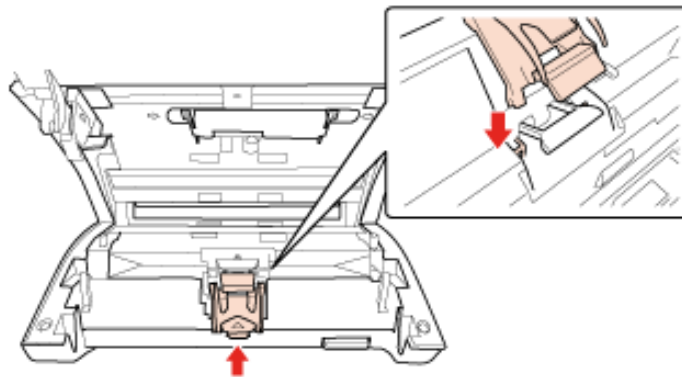


 **Caution:**

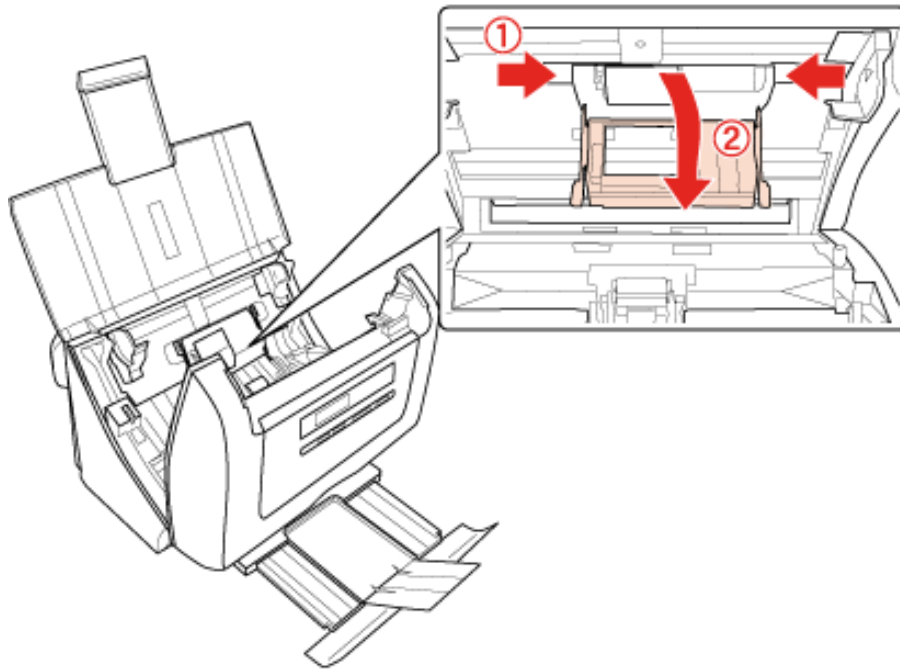
Do not touch the spring. Hold the separation pad holder as shown below.



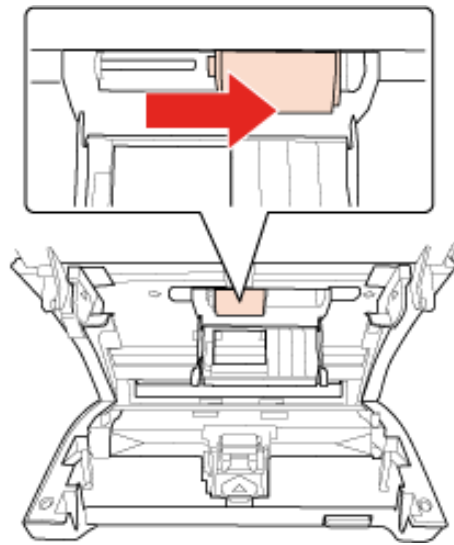
- 6** Insert the bottom side of the new separation pad first, then press the hook on the separation pad to attach to the correct position.



- 7** Press the hook on both sides of the paper feed roller cover, then open the cover.



8 Slide and remove the installed paper feed roller.

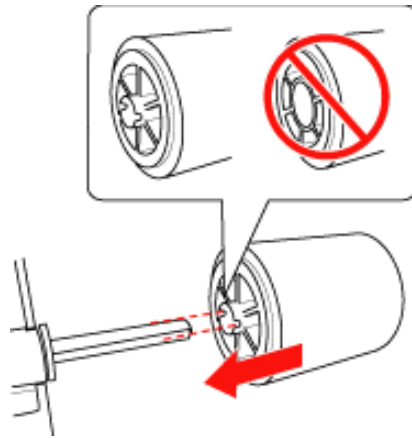


 **Caution:**

Do not touch the surface of the paper feed roller. Hold the paper feed roller as shown below.



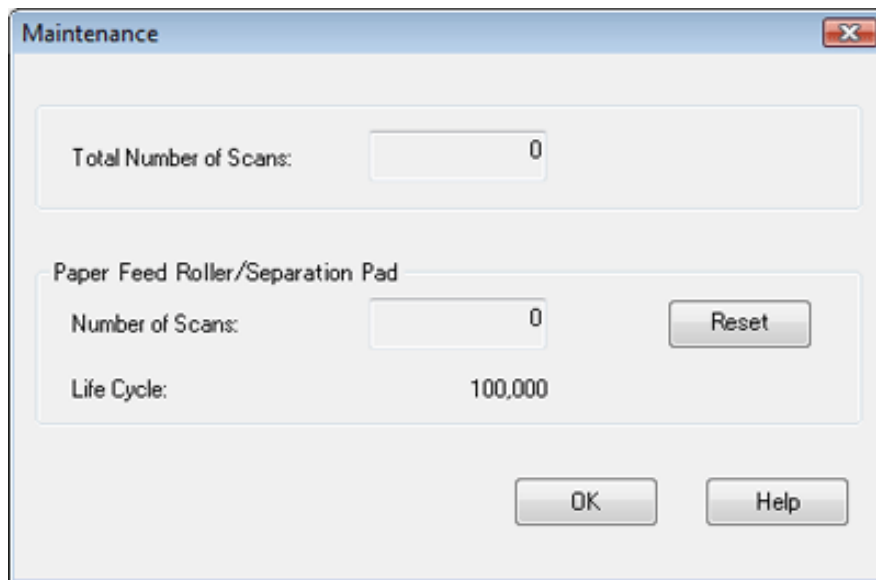
9 Attach the new paper feed roller to the correct position.



 **Caution:**

Do not install the paper feed roller in reverse direction.

- 10 Close the cover of the paper feed roller, then close the scanner cover.
- 11 Turn on the scanner.
- 12 Start EPSON Scan Settings. Then, click **Maintenance** (Windows) or open **Applications > Utilities** (Mac OS X).
- 13 Click **Reset** on the right of the Number of Scans.



- 14 Click **OK**.

[Home](#) > [Maintenance](#)

## ■ Using Security Slot

A standard security lock is available with the security slot. To lock the scanner, insert the lock into the back of the scanner and turn the key to lock the scanner. Then, secure the cable and the scanner to a stationary place.

See the User's Guide that came with the security lock for detailed information.

[Home](#) > [Solving Problems](#)

## Scanner Problems

- [The Lights Are Flashing](#)
- [The Scanner Does Not Turn On](#)
- [You Cannot Start Epson Scan](#)
- [Pressing the Start Button Does Not Start the Correct Program](#)

### The Lights Are Flashing

When an error occurs, the scanner Cancels operating and the Error and Power lights indicate the error type.

Error light (Orange)	Power light (Green)	Meaning
Flashing	Flashing	<p>An error has occurred.</p> <ul style="list-style-type: none"> <li>■ Make sure the scanner is connected to your computer properly.</li> <li>■ Make sure the scanner software is fully installed. See the Setup Guide for instructions on installing the scanner software.</li> <li>■ Paper is jammed in the scanner. Remove the jammed paper from the scanner. See <a href="#">Paper Jams in the scanner</a>.</li> <li>■ The scanner feeds more than one sheet of paper at a time.</li> <li>■ Turn off the scanner and turn it on again. If the Error and Power lights are still flashing, the scanner may be malfunctioning, or the scanner light source may need to be replaced. See EPSON Technical Support for details.</li> </ul>
On	Off	Scanner cover is open.

[Top](#) 

### The Scanner Does Not Turn On

- Make sure your scanner's AC adapter is securely connected to the scanner and a working electrical outlet.
- Make sure the electrical outlet works. If necessary, test it by plugging in another electrical device and turning it on.

[Top](#) 

### You Cannot Start Epson Scan

- Make sure the scanner is turned on.
- Turn off the scanner and computer, then check the interface cable connection between them to make sure it is secure.

- Use the USB cable that came with your scanner or that is indicated in [USB Interface](#).
- Connect the scanner directly to the computer's USB port or through one USB hub only. The scanner may not work properly when connected to the computer through more than one USB hub.
- Make sure your computer supports USB.
- If you are using any TWAIN-compliant program, make sure that the correct scanner is selected as the Scanner or Source setting.
- If you upgraded your computer's operating system, you need to reinstall Epson Scan. Uninstall Epson Scan as described in [Uninstalling Your Scanning Software](#), then reinstall it as described in the Setup Guide.


#### For Windows only:

Make sure your scanner's name appears under Imaging device without a (?) or an exclamation (!) mark in the Device Manager window. If the scanner's name appears with one of these marks or as an Unknown device, uninstall Epson Scan as described in [Uninstalling Your Scanning Software](#), then reinstall it as described in the Setup Guide.

[Top](#) 

## Pressing the Start Button Does Not Start the Correct Program

---

- Make sure Epson Scan and Epson Event Manager (Mac OS X only) is installed correctly.
- Check if you have assigned a program to the scanner button. See [Assigning a Program to LCD Screen Menu List](#) for details.
- **Mac OS X:** Make sure you are logged on as the user who installed the scanner software. Other users must first start Epson Scanner Monitor in the Applications folder and then press the  Start button to scan.

[Top](#) 



[Home](#) > [Solving Problems](#)

## **■ Paper Feeding Problems**

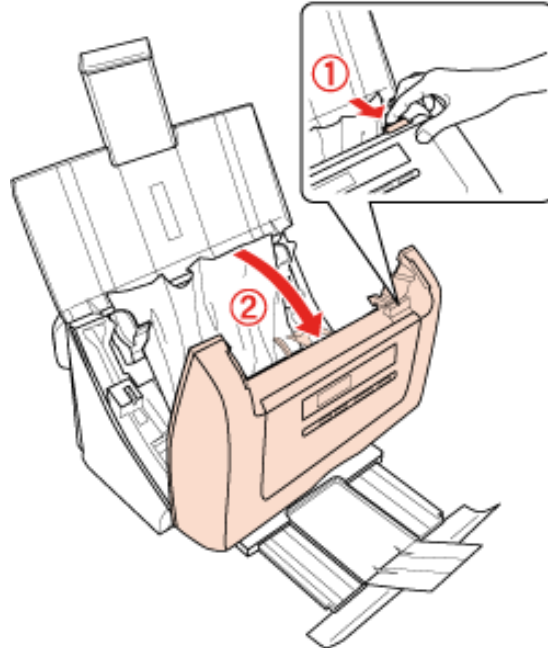
- [↕ Paper Jams in the scanner](#)
- [↕ Double feed error is detected](#)

### **Paper Jams in the scanner**

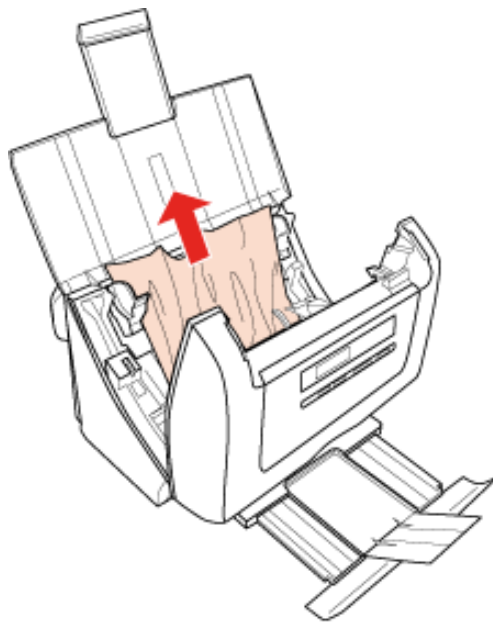
---

If paper jams inside the scanner, follow the steps below to remove jammed paper.

- 1** Turn off the scanner.
- 2** Remove all paper from the input tray.
- 3** Pull the cover open lever and open the scanner cover.



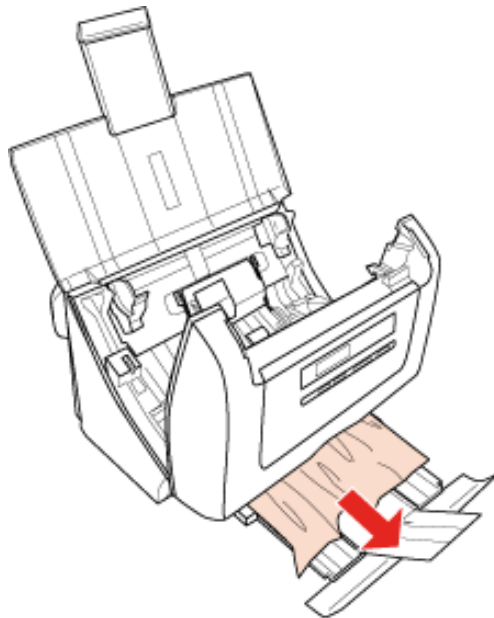
- 4** Remove the jammed paper.



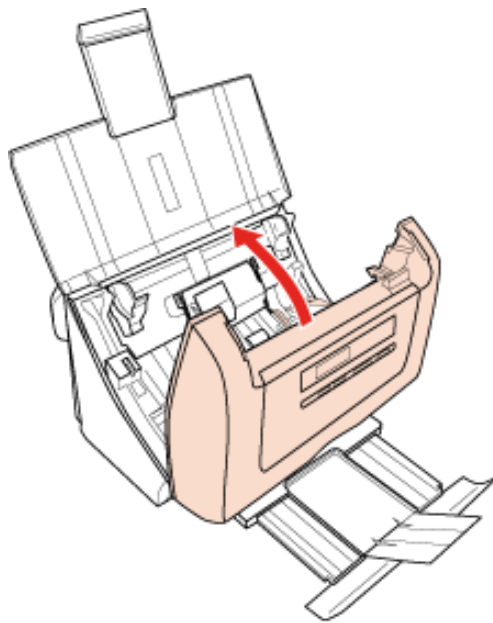
 **Note:**

Remove any pages remaining inside the scanner.

- 5** If more of the paper extends into the output tray, gently pull the paper out in the direction shown.



- 6** Close the scanner cover.



[Top](#) 

## Double feed error is detected

---

When the double feed error is detected even when the error does not occur, try the following solution.





- Click **Configuration** in the Epson Scan window, select **Detect Double Feed** check box, then select **Standard** as the Paper Thickness. (The **Detect Double Feed** setting is turned off by default. When turned on, the default setting is **Standard**.)
- If the error does not clear, deselect **Detect Double Feed** check box.

See Epson Scan Help for details.

[Top](#) 

[Home](#) > [Solving Problems](#)

## ■ Scanning Problems

-  [Preview is not available](#)
-  [Scanning Takes a Long Time](#)
-  [ISIS Driver is not Installed](#)
-  [The terms on the LCD screen are not displayed in your language](#)

### Preview is not available

---

Preview function is not available when you select **Auto** or **Auto (Card/Business Card)** as the Size setting.

[Top](#) 

### Scanning Takes a Long Time

---

- Try scanning your original at a lower resolution setting to speed up scanning. See [Selecting the Scan Resolution](#) for instructions.
- Computers with USB 2.0 (high speed) ports can scan faster than those with USB 1.1 ports. If you are using a USB 2.0 port with your scanner, make sure it meets the system requirements. See [System Requirements](#) for details.

[Top](#) 

### ISIS Driver is not Installed

---

- 1** Insert the Epson scanner software CD-ROM into your computer.  
You see the CD Installer screen.
- 2** Select **EMC ISIS driver** check box in the **Software Select** window, then click **Install**.
- 3** Follow the on-screen instructions to install the ISIS driver.

For detailed instruction refer to the User's Guide that came with your software.


[Top](#) 

[Top](#) 

### The terms on the LCD screen are not displayed in your language

---

If the language displayed on the LCD screen is not your language, follow the steps below to select the language.

- 1 Press and hold both the ▲ Up arrow and ▼ Down arrow button for three seconds.
- 2 Press the ▲ Up arrow or ▼ Down arrow button to select the language.
- 3 Press the  Start button to set the language.

[Top](#) 

[Home](#) > [Solving Problems](#)

## Scan Quality Problems

- [You See Only a Few Dots in Your Scanned Image](#)
- [A Line or Line of Dots Always Appears in Your Scanned Images](#)
- [Straight Lines in Your Image Come Out Crooked](#)
- [Your Image Is Distorted or Blurred](#)
- [Colors Are Patchy or Distorted at the Edges of Your Image](#)
- [Your Scanned Image Is Too Dark](#)
- [Ripple Patterns Appear in Your Scanned Image](#)
- [Characters Are Not Recognized Well When Converted into Editable Text \(OCR\)](#)
- [Scanned Colors Differ From the Original Colors](#)
- [Blank Pages Appear in Your Scanned Image](#)
- [The edges of your original are not scanned](#)

### You See Only a Few Dots in Your Scanned Image

---

When scanning with the **Black & White** setting, change the **Threshold** setting. See [Adjusting the Color and Other Image Settings](#) for instructions.

[Top](#) 

### A Line or Line of Dots Always Appears in Your Scanned Images

---

- The glass surface inside the scanner may need cleaning. Clean the glass surface inside the scanner. See [Cleaning Inside the Scanner](#).  
If you still have the problem, the glass surface inside the scanner may be scratched. Contact Epson for support.
- Make sure the scanning plastic card does not have shiny surfaces. If you scan plastic cards with shiny surfaces, a line may appear.

[Top](#) 

### Straight Lines in Your Image Come Out Crooked

---

Make sure the document lies perfectly straight in the input tray.

[Top](#) 

### Your Image Is Distorted or Blurred

---

- Make sure your document is not wrinkled or warped.

- Make sure you do not move the document, or your scanner while scanning.
- Make sure the scanner is placed on a flat, stable surface.
- Select **Unsharp Mask** check box. See [Adjusting the Color and Other Image Settings](#) for instructions.

Top 

## Colors Are Patchy or Distorted at the Edges of Your Image

---

If your document is very thick or curled at the edges, cover the edges with paper to block external light as you scan.

Top 

## Your Scanned Image Is Too Dark

---

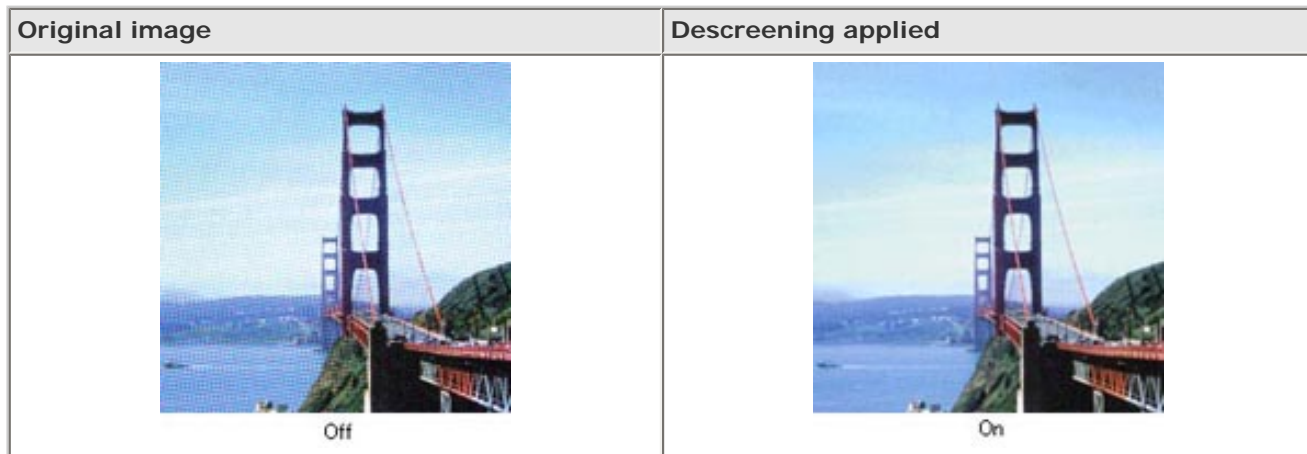
- Check the **Brightness** setting. See Epson Scan Help for details.
- Check the brightness and contrast settings of your computer monitor.

Top 

## Ripple Patterns Appear in Your Scanned Image

---

A ripple or cross-hatch pattern (called moiré) may appear in a scanned image of a printed document. It is caused by interference from the differing pitches in the scanner's screen and the halftone screen in your original.



- Select the **Descreening** check box. See [Adjusting the Color and Other Image Settings](#) for instructions.
- Select a lower resolution setting. See [Selecting the Scan Resolution](#) for instructions.

Top 

## Characters Are Not Recognized Well When Converted into Editable Text (OCR)

---

- Make sure the document lies perfectly straight in the input tray.
- Select the **Text Enhancement** check box.
- Adjust the **Threshold** setting. Select **Black & White** as the Image Type setting. Then try adjusting the **Threshold** setting. See [Converting Scanned Documents Into Editable Text](#) for instructions.

- Check your OCR software manual to see if there are any settings you can adjust in your OCR software.

[Top](#) 

## Scanned Colors Differ From the Original Colors

---

- Make sure the **Image Type** setting is correct. See [Scanning Documents](#) for instructions.
- Make sure to enable the **Embed ICC Profile** setting. In the File Save Settings window, select **JPEG** or **TIFF** as the Type setting. Click **Options**, then select the **Embed ICC Profile** check box. To access the File Save Settings window, see [Selecting File Save Settings](#).
- Printed colors can never exactly match the colors on your monitor because printers and monitors use different color systems: monitors use RGB (red, green, and blue) and printers typically use CMYK (cyan, magenta, yellow, and black).

[Top](#) 

## Blank Pages Appear in Your Scanned Image

---

Select **Skip Blank Pages** check box in the Configuration window.

See Epson Scan Help for details.

[Top](#) 

## The edges of your original are not scanned

---

If the edges of your original are not scanned correctly, set the Size to **Auto** or **Auto (Card/Business Card)**, click the **Configuration** button, and then adjust the cropping area in **Crop Margins for Size "Auto"**.

[Top](#) 



[Home](#) > [Solving Problems](#)

## ■ Uninstalling Your Scanning Software

 [For Windows](#)

 [For Mac OS X](#)

You may need to uninstall and then reinstall your scanner software to solve certain problems or if you upgrade your operating system.

### For Windows

---

 **Note:**

- For Windows 7 and Vista, you need an administrator account and password if you log on as a standard user.
- For Windows XP, you must log on to a Computer Administrator account.

- 1** Turn off the scanner.
- 2** Disconnect the scanner's interface cable from your computer.
- 3** Do one of the following.  
**Windows 7 and Vista:** Click the start button and select **Control Panel**.  
**Windows XP:** Click **Start** and select **Control Panel**.
- 4** Do one of the following.  
**Windows 7 and Vista:** Click **Uninstall a program** from the Programs category.  
**Windows XP:** Double-click the **Add or Remove Programs** icon.
- 5** Select the software you want to uninstall such as EPSON Scan, your scanner's Manual, and the application from the list displayed.
- 6** Do one of the following.  
**Windows 7:** Click **Uninstall/Change**.  
**Windows Vista:** Click **Uninstall/Change**, and then click **Continue** in the User Account Control window.  
**Windows XP:** Click **Change/Remove**.
- 7** When the confirmation window appears, click **Yes**.
- 8** Follow the on-screen instructions.

In some cases, a message may appear to prompt you to restart your computer. If so, make sure **I want to restart my computer now** is selected and click **Finish**.

[Top](#) 

## For Mac OS X

---

 **Note:**

To uninstall applications you must log on to a Computer Administrator account. You cannot uninstall programs if you log on as a Limited account user.

To remove Epson Scan, insert your Epson CD. In the **Epson** folder, open the **Common** folder. Click **Epson Scan** and select your scanner model. Double-click **Epson Scan Uninstaller** to remove the driver.

[Top](#) 

[Home](#) > [Solving Problems](#)

## ■ EPSON Technical Support

### Internet Support

---

Visit Epson's support website at [www.epson.com/support](http://www.epson.com/support) (U.S.) or [www.epson.ca/support](http://www.epson.ca/support) (Canada) and select your product for solutions to common problems. You can download drivers and documentation, get FAQs and troubleshooting advice, or e-mail Epson with your questions.

### Speak to a Support Representative

---

Before you call Epson for support, please have the following information ready:

- Product name
- Product serial number (located on a label on the product)
- Proof of purchase (such as a store receipt) and date of purchase
- Computer configuration
- Description of the problem

To speak to a representative, call (562) 276-4382 (U.S.) or (905) 709-3839 (Canada) from 6 AM to 8 PM, Pacific Time, Monday through Friday, and 7 AM to 4 PM, Pacific Time, Saturday.

Days and hours of support are subject to change without notice. Toll or long distance charges may apply.



**Note:**

For help using any other software on your system, see the documentation for that software or [Other Software Technical Support](#).

### Purchase Supplies and Accessories

---

You can purchase genuine EPSON accessories from an EPSON authorized reseller. To find the nearest reseller, call 800-GO-EPSON (800-463-7766). Or you can purchase online at [www.epsonstore.com](http://www.epsonstore.com) (U.S. sales) or [www.epson.ca](http://www.epson.ca) (Canadian sales).

Top

[Home](#) > [Solving Problems](#)

 **ABBY FineReader**

(408) 457-9777

[www.abby.com](http://www.abby.com)

[support@abbyusa.com](mailto:support@abbyusa.com)

[Top](#) 

[Home](#) > [Technical Specifications](#)

## System Requirements

[Windows System Requirements](#)[Macintosh System Requirements](#)

Make sure your system meets the requirements in these sections before using it with your scanner.

### Windows System Requirements

System	Windows 7, Vista, XP Professional x64 Edition, or XP (Operating systems upgraded from Windows Millennium Edition, 98, or 95 are not supported by the software.)
Interface	USB port (Type A) built into the main board
Display	Color monitor with 800 × 600 screen resolution or higher, and 24-bit (Full Color) color (Color and tone reproduction are subject to the display capability of your computer system, including the video card, display monitor, and software. See your system documentation for details.)

[Top](#) 

### Macintosh System Requirements

System	PowerPC or Intel processor-based Macintosh computers running Mac OS X 10.4.11, 10.5.x, 10.6.x, 10.7.x, or 10.8.x. Fast User Switching on Mac OS X or later is not supported.
Interface	Macintosh USB
Display	Color monitor with 800 × 600 screen resolution or higher, and millions of colors (Color and tone reproduction are subject to the display capability of your computer system, including the video card, display monitor, and software. See your system documentation for details.)







 **Note:**

Epson Scan does not support the UNIX File System (UFS) for Mac OS X. You must install Epson Scan on a disk or in a partition that does not use UFS.

[Top](#) 

[Home](#) > [Technical Specifications](#)

## Scanner Specifications

-  [General](#)
-  [Mechanical](#)
-  [Electrical](#)
-  [Environmental](#)
-  [Interfaces](#)
-  [Standards and Approvals](#)

 **Note:**

Specifications are subject to change without notice.

### General

Scanner type	Sheet Feed, one pass duplex A4 color scanner
Photoelectric device	Color CCD line sensor
Effective pixels	5,100 × 21,600 pixels at 600 dpi
Document size	Max: 216 × 914.4 mm (8.5 × 36.0 inches) Min: 52 × 73.7 mm (2.0 × 2.9 inches)
Paper input	Face-down loading
Paper output	Face-down ejection
Paper capacity	75 sheets of paper at 75 g/m <sup>2</sup> (20 lb)
Scanning resolution	600 dpi (main scan) 600 dpi (sub scan)
Output resolution	75, 100, 150, 200, 240, 300, 400, 600 dpi
Image data	16 bits per pixel per color internal 1 to 8 bits per pixel per color external
Interface	One USB 2.0 Hi-speed port
Light source	White LED

 **Note:**

Optional optical resolution is the maximum scan resolution of the CCD elements, using the definition of ISO 14473. ISO 14473 defines optical resolution as the fundamental sampling rate of the scan sensor.

## Mechanical

Dimensions	Width: 303.0 mm (11.9 inches) Depth: 202.0 mm (8.0 inches) Height: 213.0 mm (8.4 inches)
Weight	Approx. 5.0 kg (11.0 lb)

[Top](#) 

## Electrical

 **Note:**

Check the label on the AC adapter or on the back of the scanner for voltage information.

### Scanner

		GT-S85	GT-S55
Rated voltage		DC 24.0 V	
Rated input current		2.0 A	
Power consumption	Operating mode	45 W	40 W
	Ready mode	13 W	
	Sleep mode	4.2 W	
	Power off mode	0.5 W	

### AC Adapter

	100-240 V model
AC adapter model	A421H
Rated input voltage	AC 100 to 240 V
Rated input current	1.2 A
Rated input frequency	50 to 60 Hz
Rated output voltage	DC 24.0 V
Rated output current	2.0 A

 **Note:**

The AC adapter model varies in certain locations.

[Top](#) 

## Environmental

Temperature	Operating	10 to 35 ° C (50 to 95 ° F)
	Storage	-25 to 60 ° C (-13 to 140 ° F)
Humidity	Operating	10 to 80%, without condensation
	Storage	10 to 85%, without condensation
Operating conditions		Ordinary office or home conditions. Avoid operating the scanner in direct sunlight, near a strong light source, or in extremely dusty conditions.

[Top](#) 

## Interfaces

### USB Interface

Interface type	Universal Serial Bus Specification Revision 2.0
Electrical standard	Full Speed mode (12 Mbits per second) and Hi-Speed mode (480 Mbits per second) of Universal Serial Bus Specification Revision 2.0.
Connector type	One Type B port

[Top](#) 

## Standards and Approvals

### Scanner

U.S. model:

EMC	FCC Part 15 Subpart B Class B CAN/CSA-CEI/IEC CISPR22 Class B
-----	--

European model:

EMC Directive 2004/108/EC	EN 55022 Class B EN 55024
---------------------------	------------------------------

Australian model:

EMC	AS/NZS CISPR22 Class B
-----	------------------------

### AC Adapter

U.S. model:



Safety	UL60950-1 CAN/CSA-C22.2 No. 60950-1
EMC	FCC Part 15 Subpart B Class B CAN/CSA-CEI/IEC CISPR22 Class B

European model:

Low Voltage Directive 2006/95/EC EMC Directive 2004/108/EC	EN 60950-1 EN 55022 Class B EN 55024 EN 61000-3-2 EN 61000-3-3
---	--

Australian model:

Safety	AS/NZS 60950.1
EMC	AS/NZS CISPR22 Class B

[Top](#) 